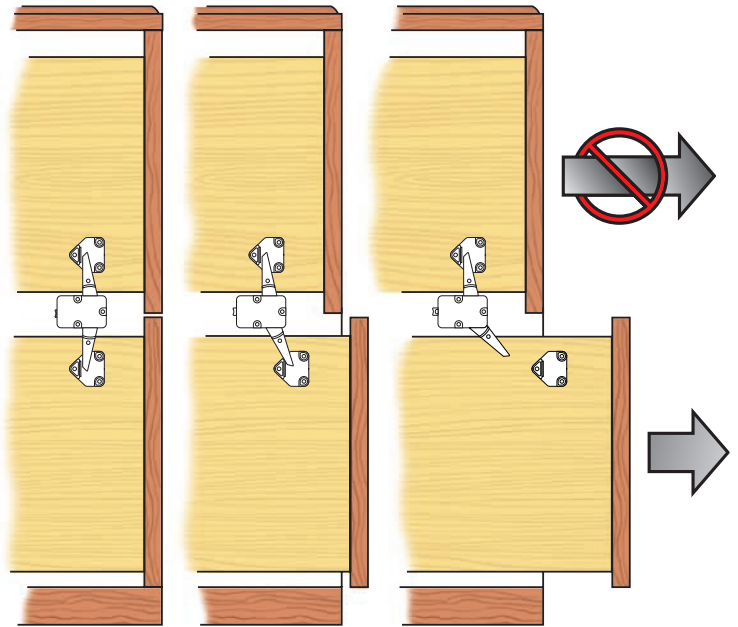
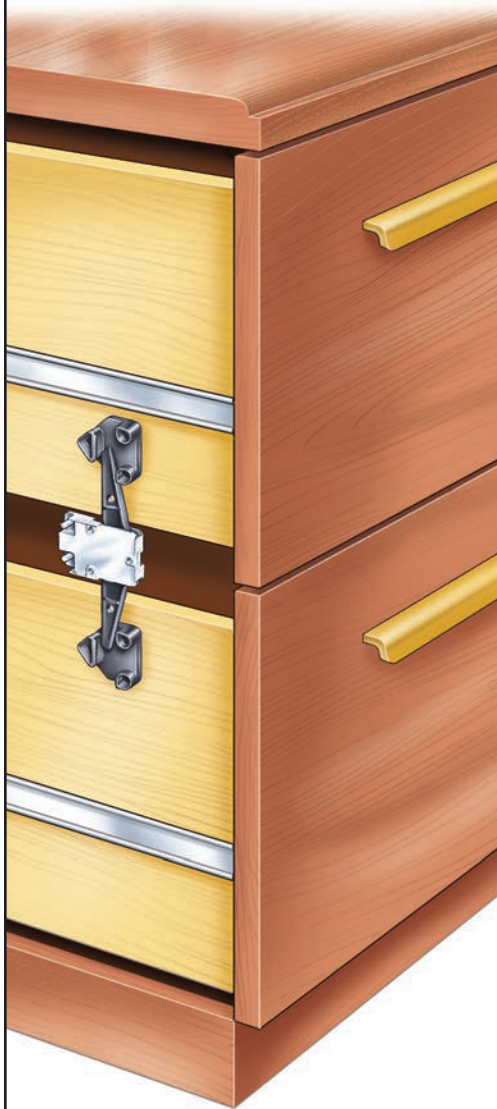


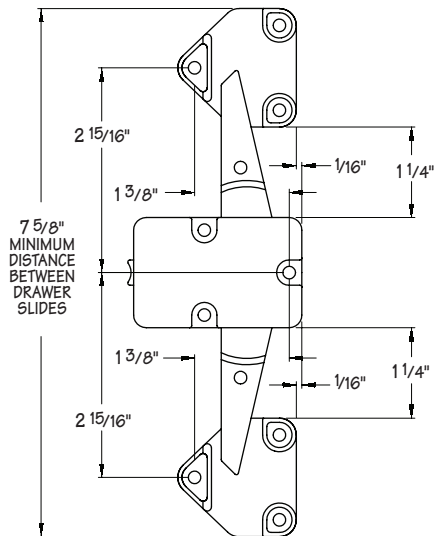
ANTI-TIP INTERLOCK SYSTEM 400

2-DRAWER LATERAL (NO LOCK)

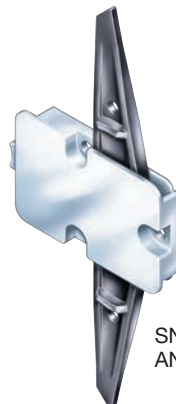


WHEN EITHER DRAWER IS PULLED OPEN, THE DRAWER CLIP ON THAT DRAWER MOVES THE SNAPPER INTO A LOCKED POSITION... THEREBY PREVENTING ANY FURTHER DRAWERS FROM BEING OPENED

TYPICAL INSTALLATION DETAILS



- PREVENTS MORE THAN ONE DRAWER FROM BEING OPENED AT A TIME
- MEETS BIFMA STANDARDS FOR STRENGTH AND DURABILITY
- ALL COMPONENTS ARE SURFACE MOUNTED
- WIDE TOLERANCE ACCOMMODATION
- EASY TO MOUNT AND LOW COST
- 1/2" DRAWER SLIDE CLEARANCE REQUIRED



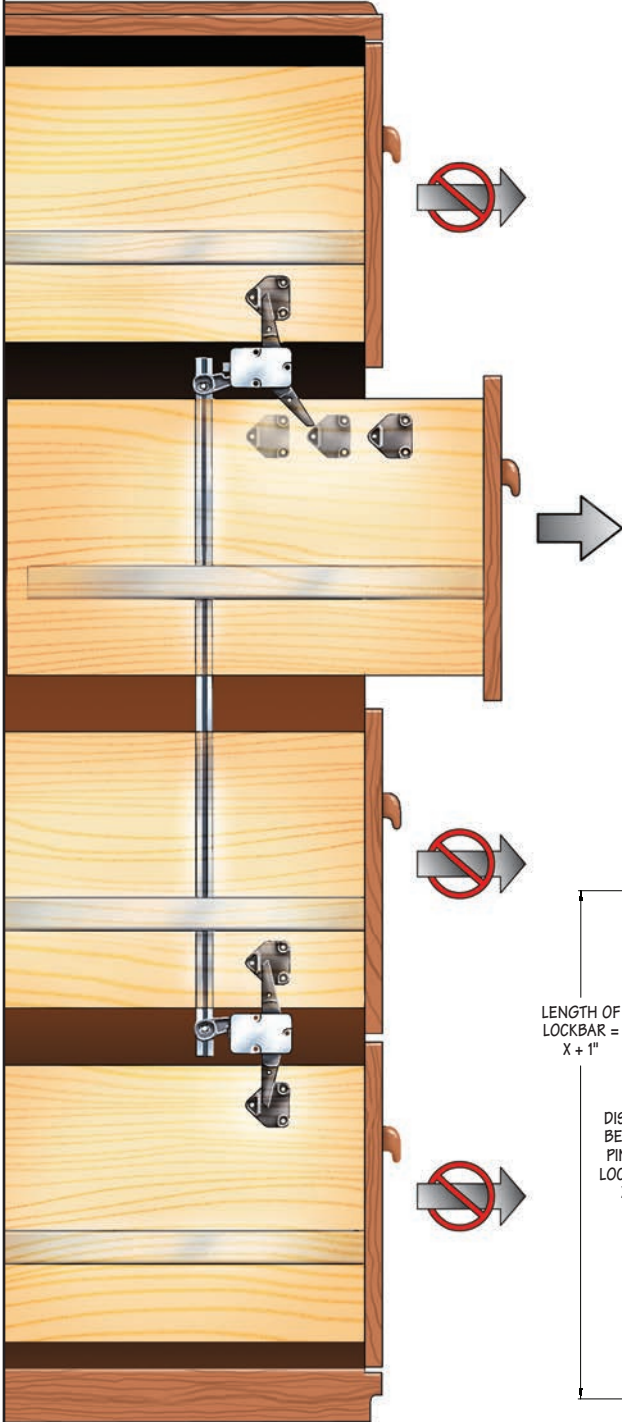
SN-400
ANTI-TIP SNAPPER



DC-400
DRAWER CLIP

ANTI-TIP INTERLOCK SYSTEM 400

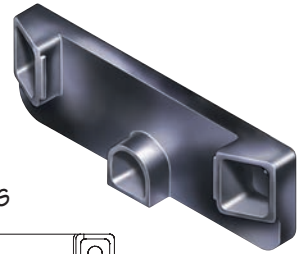
3 OR 4-DRAWER LATERAL (NO LOCK)



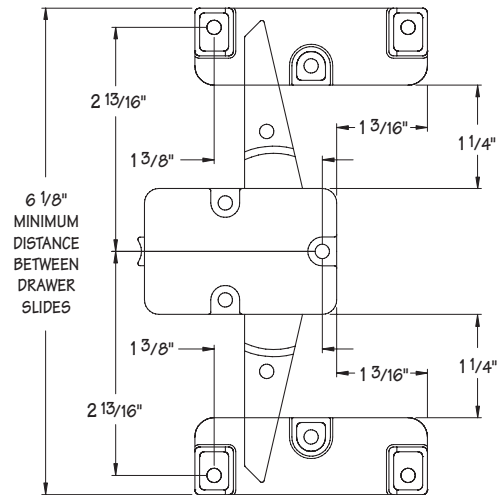
DC-410 NARROW DRAWER CLIP

FOR USE WHEN LESS SPACE IS ALLOWABLE BETWEEN DRAWER SLIDES

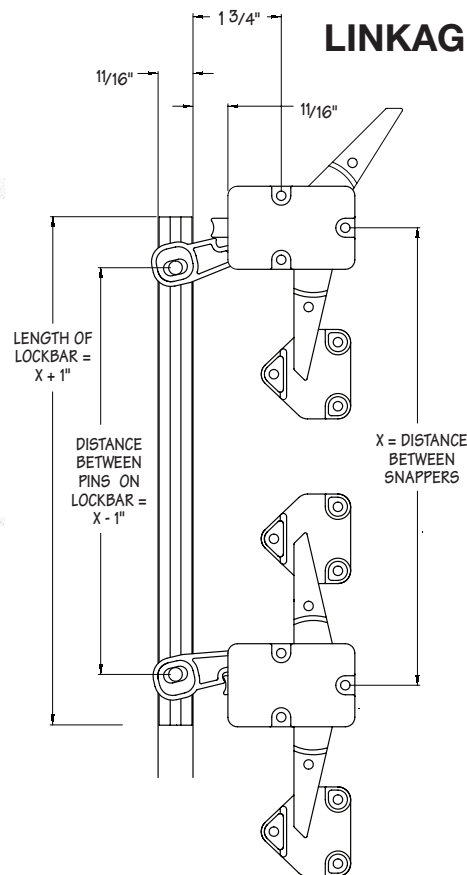
DC-410
NARROW
DRAWER CLIP



TYPICAL INSTALLATION DETAILS



LINKAGE COMPONENTS



SN-410
LINKAGE ARM



LOCKBAR
FIXED PIN
(SEE DRAWING
FOR SIZING
INSTRUCTIONS)

