

CLIP top BLUMOTION 95° thick door hinges

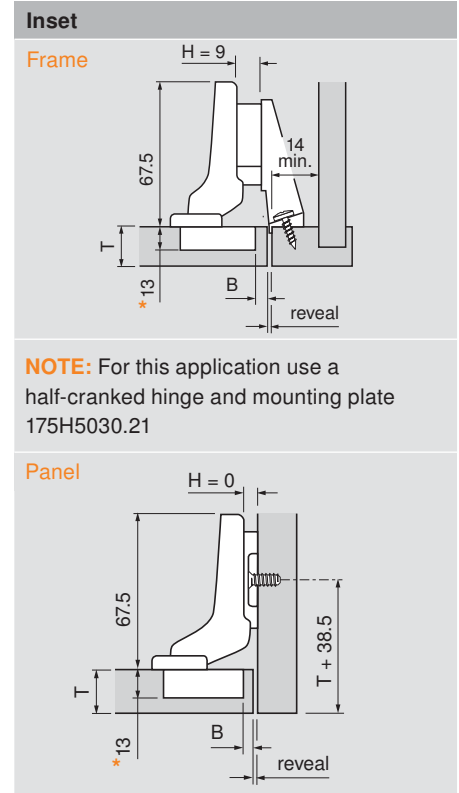
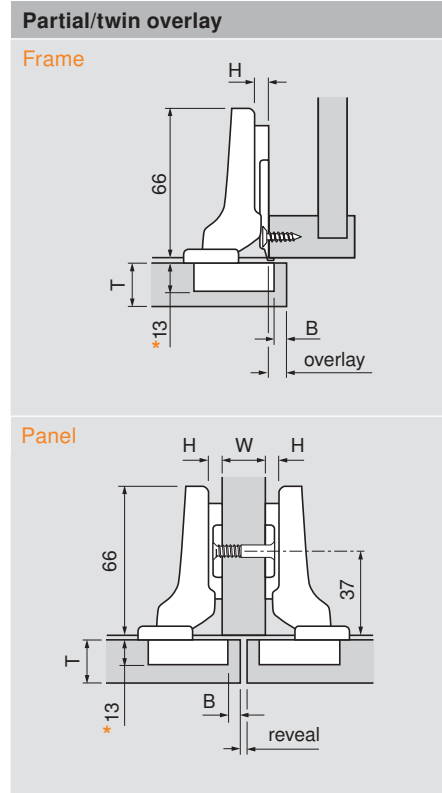
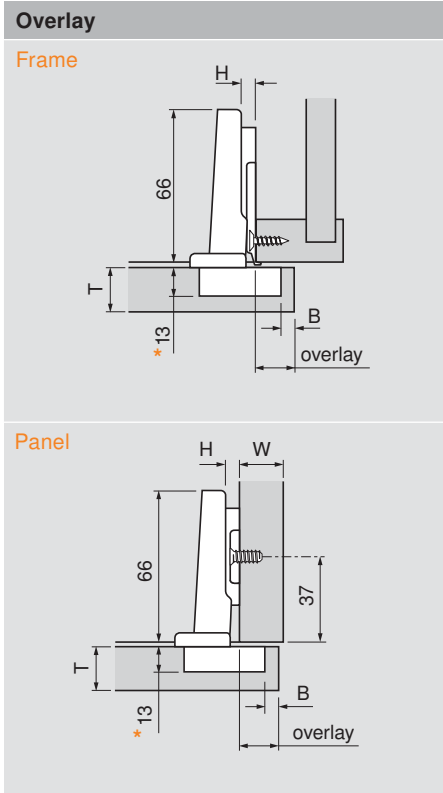


Features

- BLUMOTION soft close integrated into the hinge cup
- Deactivation switch for small/light doors
- For door thicknesses up to **30** (1-3/16")
- New INSERTA design
- Boring distance range 3 mm to 7 mm
- Compatible with existing CLIP mounting plates and hinge arm cover caps
- Press-in hinges must be inserted with knock-in tool or insertion rams

| Minimum reveal table | | | | | | | |
|----------------------|-----|-----|-----|-----|-----|-----|-----|
| 3 | 0.4 | 0.8 | 1.0 | 1.5 | 1.9 | 2.8 | 3.6 |
| 4 | 0.4 | 0.7 | 1.0 | 1.4 | 1.8 | 2.5 | 3.1 |
| 5 | 0.4 | 0.7 | 1.0 | 1.4 | 1.8 | 2.3 | 2.7 |
| 6 | 0.4 | 0.7 | 1.0 | 1.4 | 1.8 | 2.2 | 2.5 |
| 7 | 0.4 | 0.7 | 0.9 | 1.4 | 1.7 | 2.1 | 2.4 |
| B = boring dist. | 19 | 22 | 24 | 26 | 28 | 29 | 30 |
| T = door thickness | | | | | | | |

Thickness greater than 30 trial app. recommended



NOTE: For this application use a half-cranked hinge and mounting plate 175H5030.21

* All 35 mm and 8 mm holes must be a minimum of 13 mm deep

| H | Overlay | | | | | P | S |
|-----|---------------------|------|------|------|------|---------------------|------|
| 0 | 14 | 15 | 16 | 17 | 18 | 14.5 | 22 |
| 3 | 11 | 12 | 13 | 14 | 15 | 17.5 | 25 |
| 4.5 | 9.5 | 10.5 | 11.5 | 12.5 | 13.5 | 19 | 26.5 |
| 6 | 8 | 9 | 10 | 11 | 12 | 20.5 | 28 |
| 9 | 5 | 6 | 7 | 8 | 9 | 23.5 | 31 |
| | 3 | 4 | 5 | 6 | 7 | Fixed distance = 11 | |
| | B = boring distance | | | | | | |

NOTE: 4.5 plate is only for use in frame cabinets, 9 plate is only for panel cabinets

| H | Overlay | | | | | P | S |
|---|---------------------|-----|-----|-----|-----|----------------------|----|
| 0 | 4.5 | 5.5 | 6.5 | 7.5 | 8.5 | 24 | 31 |
| | 3 | 4 | 5 | 6 | 7 | Fixed distance = 1.5 | |
| | B = boring distance | | | | | | |

| H | Reveal | | | | | W | P | S |
|---|--------|----|---|---|---|---------------------|----|----|
| 0 | 7 | 5 | 3 | 1 | — | 16 | | |
| | 10 | 8 | 6 | 4 | 2 | 19 | 24 | 31 |
| | 13 | 11 | 9 | 7 | 5 | 22 | | |
| | 3 | 4 | 5 | 6 | 7 | B = boring distance | | |

| H | Reveal | | | | | P | S | X |
|---|--------|-----|-----|-----|-----|---------------------|------|-----|
| 0 | 4 | 3 | 2 | 1 | — | 32.5 | 40 | -7 |
| 9 | 4.5 | 3.5 | 2.5 | 1.5 | 0.5 | 33 | 40.5 | 1.5 |
| | 3 | 4 | 5 | 6 | 7 | B = boring distance | | |

Abbreviations

| | |
|---|-----------------------|
| H | = Plate height |
| P | = Door protrusion |
| S | = Side arm protrusion |
| W | = Side panel width |

| Straight-arm | Self close |
|--------------|------------|
| Screw-on | 71B9550 |
| Press-in | 71B9580 |
| INSERTA | 71B9590 |

| Half-cranked (9.5 mm) | Self close |
|-----------------------|------------|
| Screw-on | 71B9650 |
| Press-in | 71B9680 |
| INSERTA | 71B9690 |

| Full-cranked (18 mm) | Self close |
|----------------------|------------|
| Screw-on | 71B9750 |
| Press-in | 71B9780 |
| INSERTA | 71B9790 |