

MOVENTO



Waste/Recycle Drawer with Motion Technologies

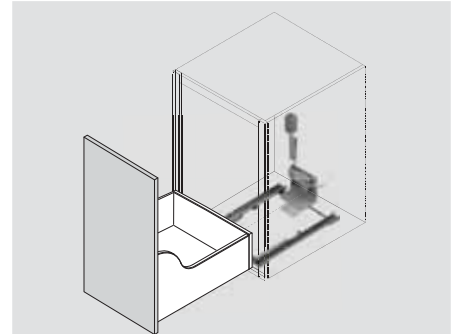
Application



Description

- Pre-assembled bottom mount set
- MOVENTO heavy duty full extension concealed runners with BLUMOTION
- For 12", 15" and 18" minimum opening widths
- For 16 (5/8") drawer side thickness
- 19 (3/4") over extension
- For face frame and frameless applications
- Tool-free side-to-side, height and tilt adjustment
- Maximum 6 (1/4") cabinet bottom recess
- **135 lb static load capacity**
- Designed to be used with SERVO-DRIVE or TIP-ON BLUMOTION

Basic Components

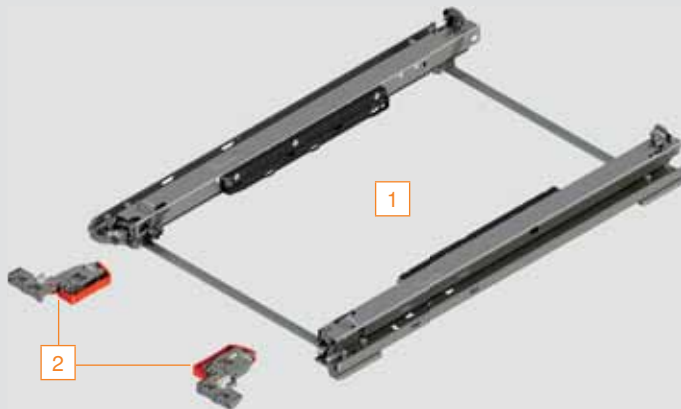


NOTE: Drawer and bins not included

Components

MOVENTO waste/recycle set

One set required per drawer



Set includes:

- 1 MOVENTO heavy duty runner set with pre-mounted #6 x 1" wood screws for installation (qty 8)
 - 2 Standard locking device (qty 2) with #6 x 5/8" wood screws for installation (qty 4)
- Installation template and instructions

MOVENTO waste/recycle set	Drawer length	Part no.
For 12" minimum opening width	533 (21")	769R5337MB
For 15" minimum opening width	533 (21")	769R5337MD
For 18" minimum opening width	533 (21")	769R5337MF

SERVO-DRIVE waste/recycle set

Set includes:

- Drive unit (pre-attached)
- Double bottom bracket with #6 x 1" wood screws (qty 2)
- Adapter plate
- 110 volt plug-in power supply with six feet of universal cable
- Screw-on distance bumpers (qty 4) with #6 x 5/8" wood screws for installation (qty 8)
- INSERTA cable connector
- Cable end protectors (qty 2)
- Cable clips (qty 4)
- Installation template, instructions and user manual

Part no.

SERVO-DRIVE waste/recycle set **Z10NA20UGUS**

NOTE: Power supply will operate up to two drive units in a double bottom bracket application (second drive unit sold separately)

TIP-ON BLUMOTION for MOVENTO waste/recycle set

Set includes:

- Heavy duty L5 TIP-ON BLUMOTION units and triggers
- TIP-ON BLUMOTION synchronization rod, pre-cut per width
- TIP-ON BLUMOTION synchronization adapters*
- Instruction sheet

Part no.

For 769R5337MB set*	T60L7570.B
For 769R5337MD set	T60L7570.D
For 769R5337MF set	T60L7570.F

NOTE*: T60L7570.B does not use TIP-ON BLUMOTION synchronization adapters

Drawer and Cabinet Specifications

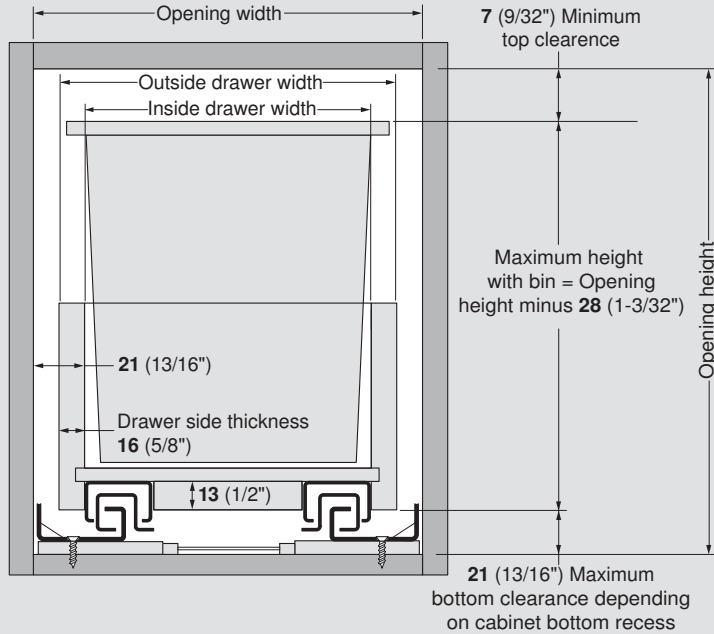
Drawer thickness	16 (5/8")
Lengths available	21"
Static load capacity	135 lb

MOVENTO



Drawer box specifications

Front view



NOTE: Drawer side material thickness may vary. Precise measurement of drawer side material thickness should be used when calculating outside drawer width using the table below. Inside drawer width **must** equal opening width minus 42 (1-21/32") for MOVENTO runners to align and function optimally.



Important

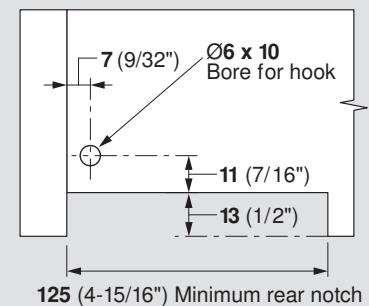
Bin width and height must be considered when designing your cabinet (see the diagram on the left).

Minimum inside cabinet depth

With SERVO-DRIVE	577 (22-23/32")
Without SERVO-DRIVE	564 (22-7/32")

Drawer back preparation

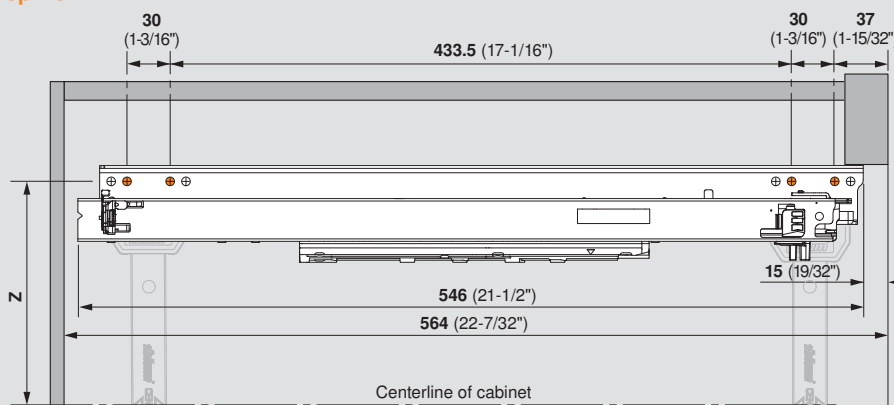
Rear view



Waste/recycle set	Minimum opening width	Inside drawer width	For drawer side thickness
			16 (5/8")
769R5337MB	305 (12")	263 (10-11/32")	295 (11-5/8")
769R5337MD	381 (15")	339 (13-11/32")	371 (14-19/32")
769R5337MF	457 (18")	415 (16-11/32")	447 (17-19/32")
NOTE: Drawer length is 533 (21") for all sets			Outside drawer width

Set mounting specifications

Top view



Waste/recycle set	Z
769R5337MB	141.5 (5-9/16")
769R5337MD	179.5 (7-1/16")
769R5337MF	217.5 (8-9/16")

NOTE: Orange dots indicate pre-mounted screw locations. All four are required to meet specified load capacities.