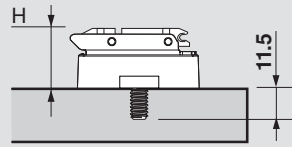
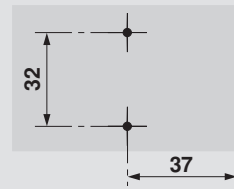


Cam adjustable wing mounting plates

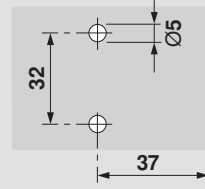


Boring pattern

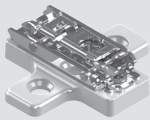
wood screw



system screw



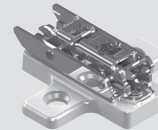
- New mounting plate heights with cam height adjustment
- Steel, nickel-plated with zinc adapter
- Attached with #7 x 5/8" wood screws or Ø5 mm x 13 mm system screws
- Cam height adjustment ±2 mm



- For 1/4" recess on an inset or overlay application

Part no.

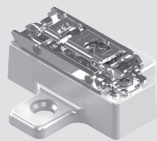
6 plate height (H) **173H9100.04**



- For 3/8" recess on an inset or overlay application

Part no.

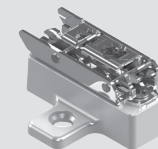
9 plate height (H) **173H9130.06**



- For 1/2" recess on an inset application

Part no.

13 plate height (H) **173H9100.08**



- For 5/8" recess on an inset application

Part no.

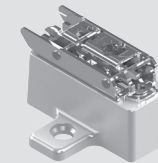
16 plate height (H) **173H9130.10**



- For 3/4" recess on an inset application

Part no.

19 plate height (H) **173H9100.12**



- For 7/8" recess on an inset application

Part no.

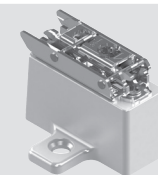
22 plate height (H) **173H9130.14**



- For 1" recess on an inset application

Part no.

25 plate height (H) **173H9100.16**



- For 1-1/8" recess on an inset application

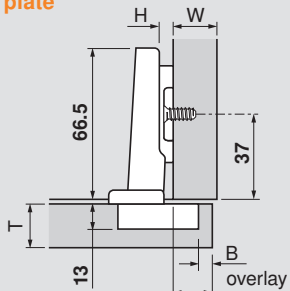
Part no.

29 plate height (H) **173H9130.18**

Frameless Applications

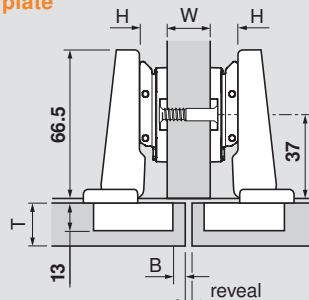
Overlay

0 mm plate



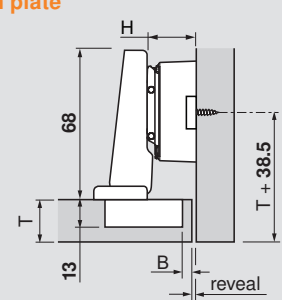
Partial/twin overlay

9 mm plate



Inset

19 mm plate



NOTE: With our new CLIP wing mounting plate program, all three of the common frameless applications, (full overlay, half overlay and inset) can be achieved with a straight-arm hinge and cam height adjustment. An alternative inset application, includes the use of a half-cranked hinge and 9 mm cam height adjustment mounting plate.

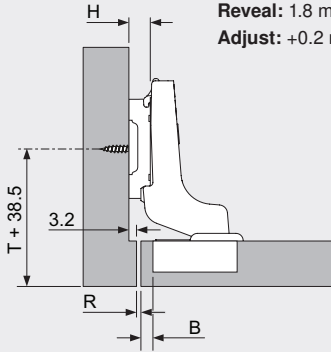
Hinges



Inset Applications for Face Frame

1/8" Recess

Hinge: full-cranked
 Plate Height: 3 mm
 Bore Distance: 5 mm
 Reveal: 1.8 mm
 Adjust: +0.2 mm



Hinge

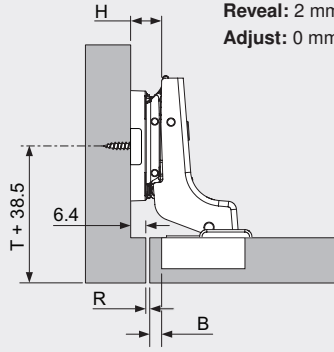
Mounting plate

71B37X0

173H9130

1/4" Recess

Hinge: full-cranked
 Plate Height: 6 mm
 Bore Distance: 5 mm
 Reveal: 2 mm
 Adjust: 0 mm



Hinge

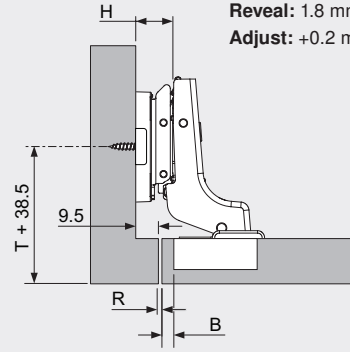
Mounting plate

71B37X0

173H9100.04

3/8" Recess

Hinge: full-cranked
 Plate Height: 9 mm
 Bore Distance: 5 mm
 Reveal: 1.8 mm
 Adjust: +0.2 mm



Hinge

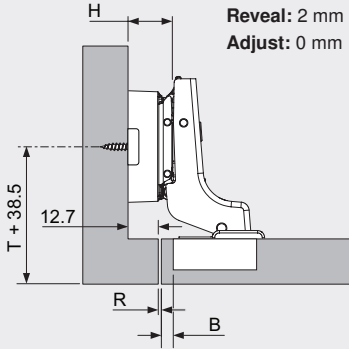
Mounting plate

71B37X0

173H9130.06

1/2" Recess

Hinge: full-cranked
 Plate Height: 13 mm
 Bore Distance: 5 mm
 Reveal: 2 mm
 Adjust: 0 mm



Hinge

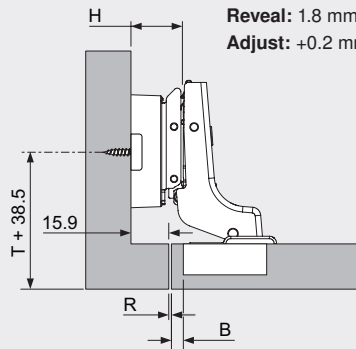
Mounting plate

71B37X0

173H9100.08

5/8" Recess

Hinge: full-cranked
 Plate Height: 16 mm
 Bore Distance: 5 mm
 Reveal: 1.8 mm
 Adjust: +0.2 mm



Hinge

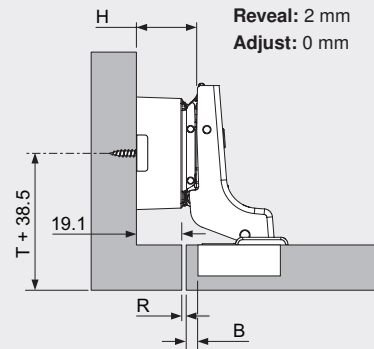
Mounting plate

71B37X0

173H9130.10

3/4" Recess

Hinge: full-cranked
 Plate Height: 19 mm
 Bore Distance: 5 mm
 Reveal: 2 mm
 Adjust: 0 mm



Hinge

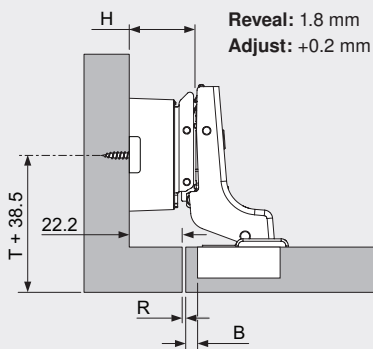
Mounting plate

71B37X0

173H9100.12

7/8" Recess

Hinge: full-cranked
 Plate Height: 22 mm
 Bore Distance: 5 mm
 Reveal: 1.8 mm
 Adjust: +0.2 mm



Hinge

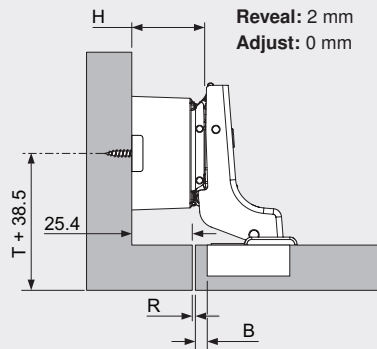
Mounting plate

71B37X0

173H9130.14

1" Recess

Hinge: full-cranked
 Plate Height: 25 mm
 Bore Distance: 5 mm
 Reveal: 2 mm
 Adjust: 0 mm



Hinge

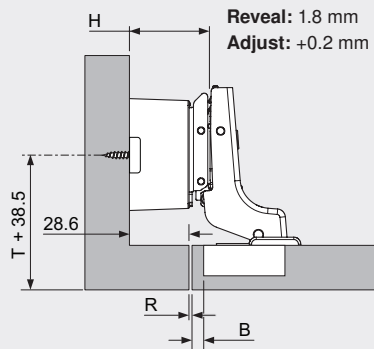
Mounting plate

71B37X0

173H9100.16

1-1/8" Recess

Hinge: full-cranked
 Plate Height: 29 mm
 Bore Distance: 5 mm
 Reveal: 1.8 mm
 Adjust: +0.2 mm



Hinge

Mounting plate

71B37X0

173H9130.18

NOTE: B = Bore Distance | H = Plate Height | R = Reveal | T = Door Thickness