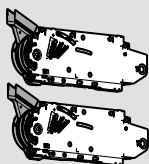


# AVENTOS HF

## Wood / wide aluminum door application

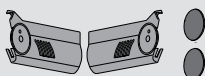
### Lift mechanism set



- Lift mechanism (qty 2)
- #7 x 35 mm (1-3/8") wood screw (qty 10)

Power factor	Part no.
85 — 230 (1 lift mechanism req.)	20F2200.N5
231 — 470	20F2200.N5
471 — 880	20F2500.N5
780 — 1440	20F2800.N5
1401 — 2300 (3 lift mechanisms req.)	20F2800.N5

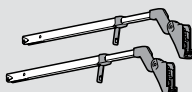
### Cover plate set



- Right and left cover plate
- Non-handed cover cap (qty 2)

Cover plate set	Part no.
Cover plate set	20F8000.NA

### Telescopic arm set



Cabinet heights	Part no.
479 (18-7/8") — 558 (22")	20F3200
558 (22") — 686 (27")	20F3500
686 (27") — 889 (35")	20F3800
889 (35") — 1067 (42")	20F3900

### Wood or wide alum door hardware set

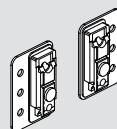
- CLIP top 120° hinge (qty 2)
- COMPACT 33° hinge (qty 2)
- CLIP top bottom door hinge (qty 2)
- COMPACT mounting plate (qty 2)
- Face frame adapter (qty 4)
- Telescopic arm mounting plate (qty 2)

**NOTE:** Three hinges and mounting plates required for cabinet widths over 1219 (48")

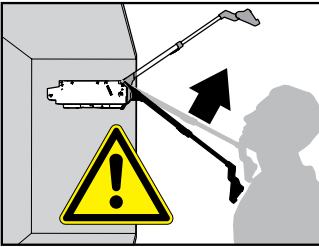
Hardware set	78Z5530TA5
Inst. screw for wood doors	606N or 606P
Inst. screw for wide alum doors	7072A

### Mounting plate with bracket set

- Left and right mounting plate with bracket
- For large overlay five-piece doors



Mounting plate w/ bracket set	Part no.
Mounting plate w/ bracket set	175H5F00.01
Inst. screw for wood doors	606N or 606P
Inst. screw for wide alum doors	7072A



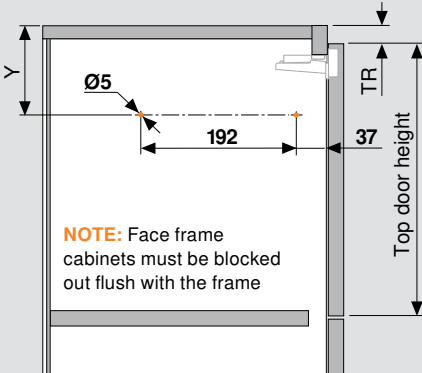
## **WARNING**

Risk of injury from spring-loaded arm

- Do not push lever arm down or leave in the down position
- Remove mechanism before installing or removing cabinet

### 1 Locating pin locations

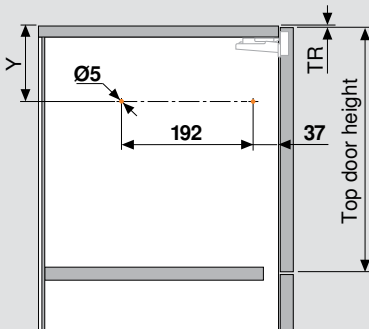
#### Face frame



Top door height (TDH)	Y
231 to 271	$TDH \times .6 - 28 + TR$
272 to 531	$TDH \times .6 - 57 + TR$

TR = Top reveal  
TDH = Top door height

#### Panel



Top door height (TDH)	Y
231 to 271	$TDH \times .6 - 28 + TR$
272 to 531	$TDH \times .6 - 57 + TR$

TR = Top reveal  
TDH = Top door height

Use the Universal individual template to pre-bore the 5 mm locating pin holes for the AVENTOS HF lift mechanism.

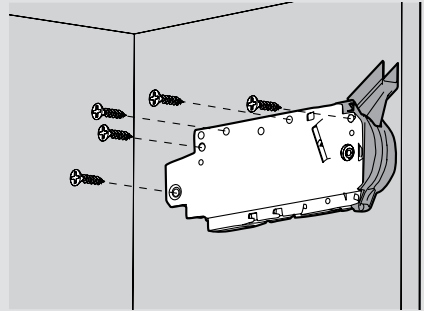
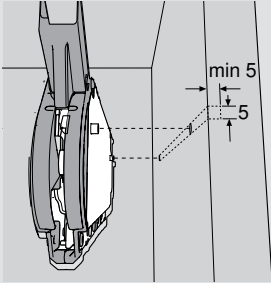
Part no.

Universal individual template

65.1051.01

## 2 Attaching the lift mechanism

Align the lift mechanism in the cabinet using the 5 mm locator pins and attach the mechanism with the five wood screws provided.



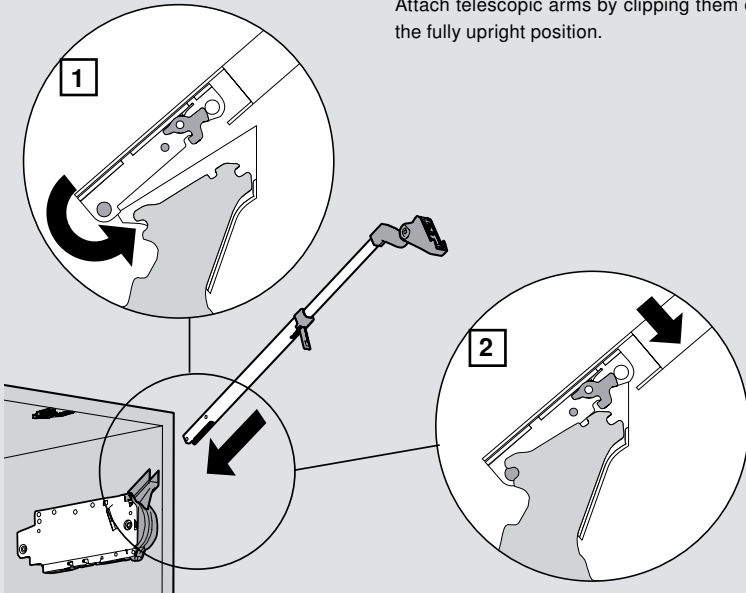
#7 x 35 mm (1-3/8") wood screws (qty 5)

## 3 Attach the telescopic arms

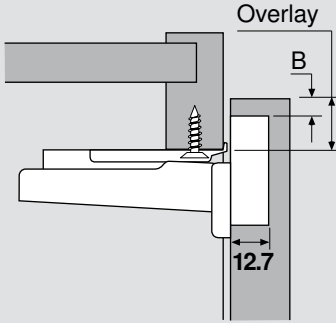


**WARNING:** Risk of injury from spring loaded arm.

Attach telescopic arms by clipping them on in the fully upright position.



## 5 Small overlay top door hinge planning CLIP top hinges



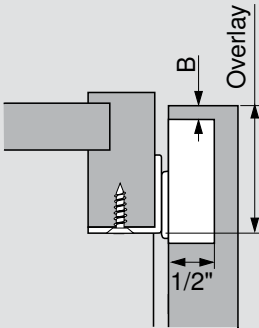
Overlay table				
13*	14	15	16	17
3	3	4	5	6
B Bore distance				

\* Bore at 3 then adjust 1

Part no.

CLIP top hinge	70T5580
Mounting plate	175H6000

## 6 Large overlay top door hinge planning COMPACT hinges

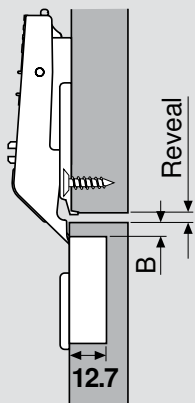


Overlay table
1-1/4"
3
Bore distance

Part no.

COMPACT hinge	32.4630
Mounting plate	130.1130.02

## 7 Bottom door hinge planning

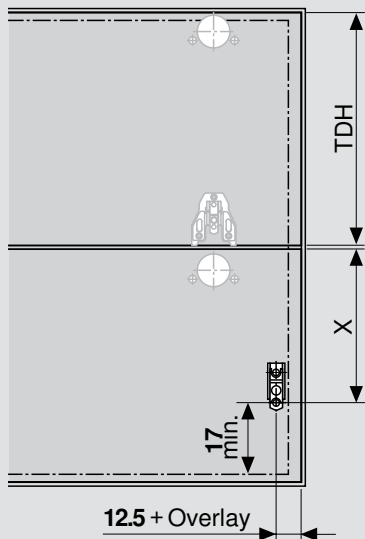


Reveal table			
6	5	4	3
3	4	5	6
B Bore distance			

Part no.

CLIP top hinge	78Z5530T
Mounting plate	175H6000

## 8a Attaching the telescopic arm mounting plates



Top door height (TDH)	X
231 to 271	$TDH \times .5 + 68$
272 to 531	$TDH \times .5 + 45$

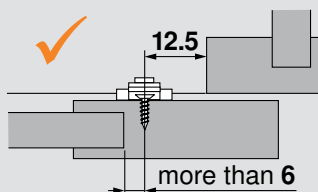
**NOTE:** For five-piece door mounting specifications, see page 6

Part no.

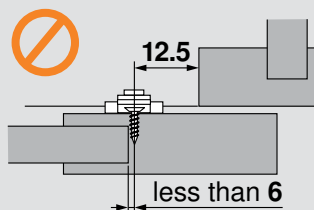
Telescopic arm mounting plate	175H5400
-------------------------------	----------

## 8b Attaching the telescopic arm mounting plate with bracket for five-piece doors

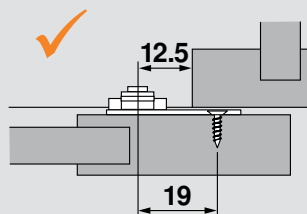
Standard mounting plate works



Standard mounting plate does not work



Use mounting plate with bracket when panel is < 6 mm from screw

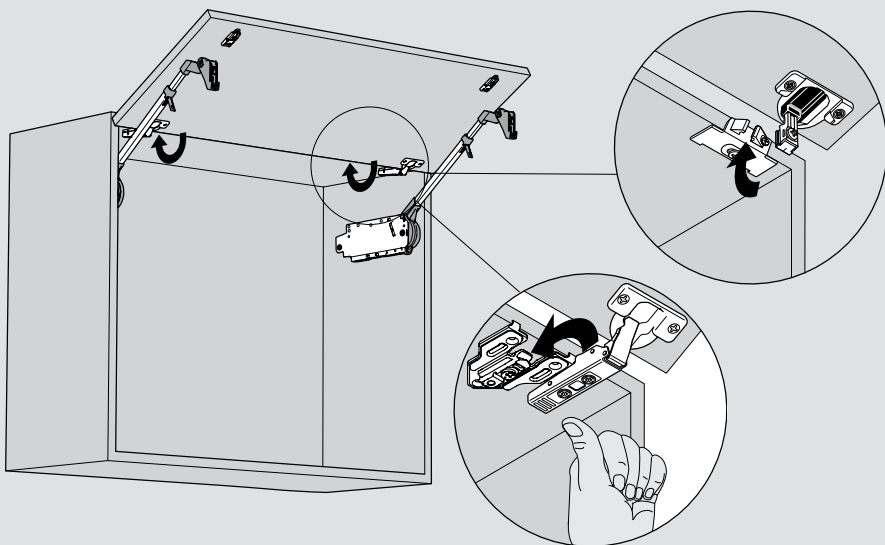


Telescopic arm mounting plate with bracket

Part no.

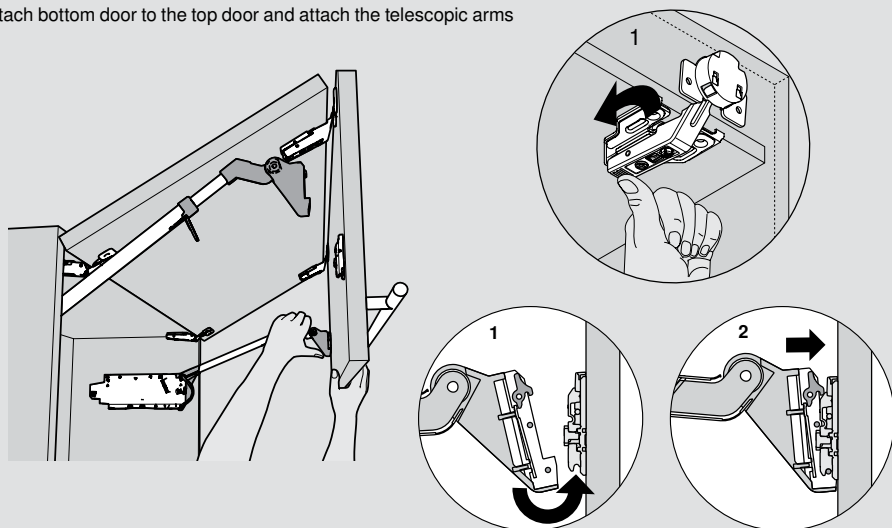
175H5F00.01

## 9 Attach the top door to the cabinet



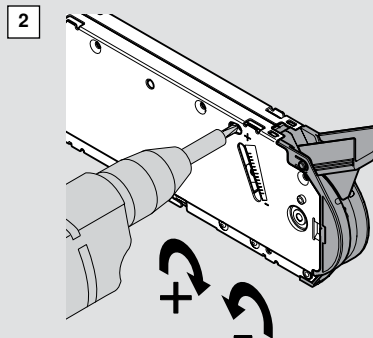
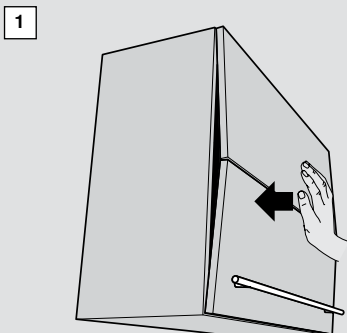
## 10 Attach the bottom door

Attach bottom door to the top door and attach the telescopic arms



# Assembly

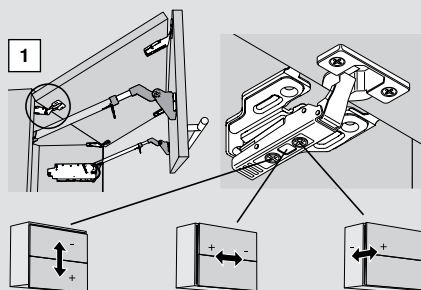
## 11 Adjust tension of the mechanism



Close and flush doors to cabinet. Open and close door to test closing force. Use a screw gun and a #2x2 POZI driver bit to adjust the lift mechanism to the desired tension. Test door again and repeat until desired function is achieved.

Tension adjustment should be the same on both lift mechanisms.

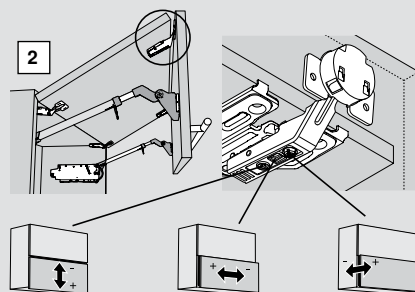
## 12 Finalizing the door adjustments



± 3 mm

± 2 mm

+ 3/- 2 mm



± 2.5 mm

± 2 mm

± 2 mm

1. Adjust each top door hinge and mounting plate to properly align the top door to the cabinet.

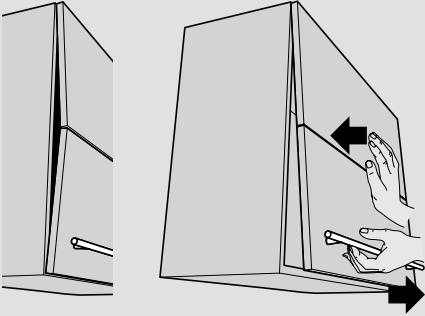
2. Adjust each bottom door hinge and mounting plate to properly align doors to the cabinet and to the top door.

Although not illustrated here, telescopic arm mounting plates can also be adjusted horizontally ± 2 mm if needed.



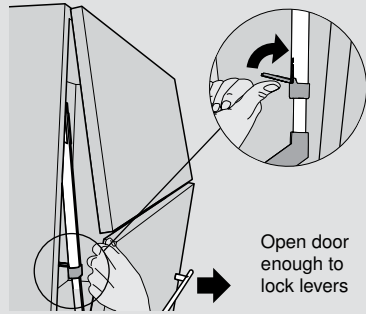
## 13 Adjust and lock telescopic arms

1



1. Close and flush doors to cabinet. While pressing on the top door, pull the bottom door open one inch.

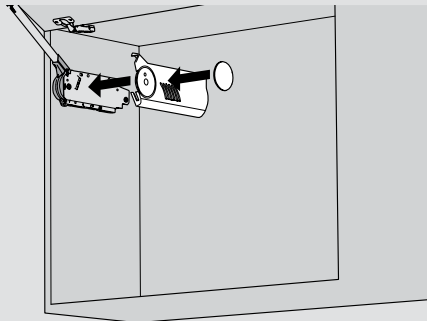
2



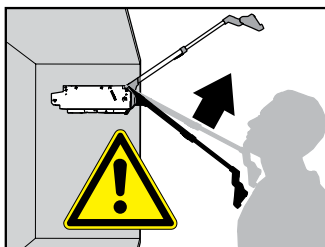
2. Slightly open door and lock the telescopic arms into position using the levers as shown.

## 14 Attach covers

Attach the left and right cover plates to each lift mechanism then attach the symmetrical cover caps



# Removal

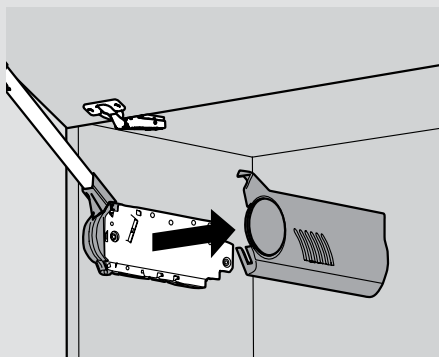


## WARNING

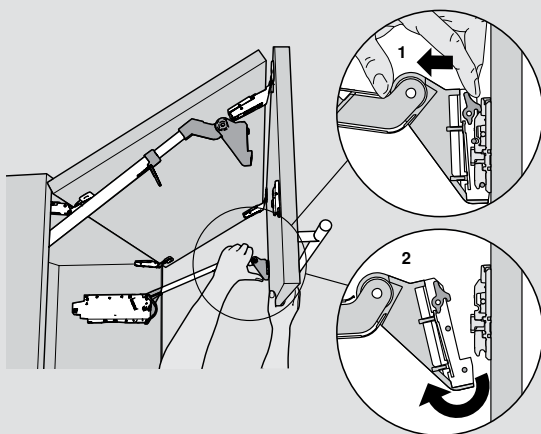
Risk of injury from spring-loaded arm

- Do not push lever arm down or leave in the down position
- Remove mechanism before installing or removing cabinet

### 1 Remove covers



### 2 Detaching the telescopic arms



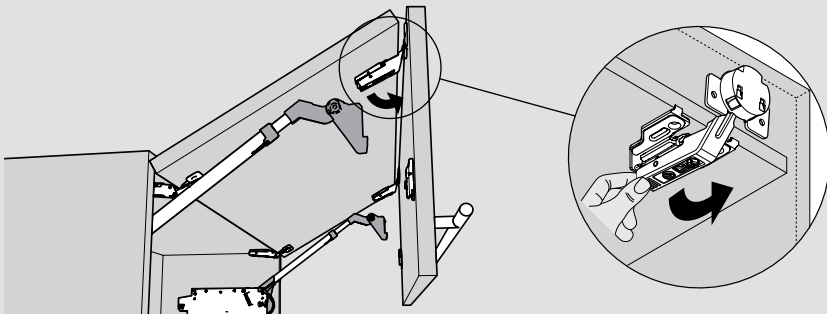
**Warning: Risk of injury from spring-loaded telescopic arm!**

Maintain control of telescopic arm while releasing the CLIP mechanism.

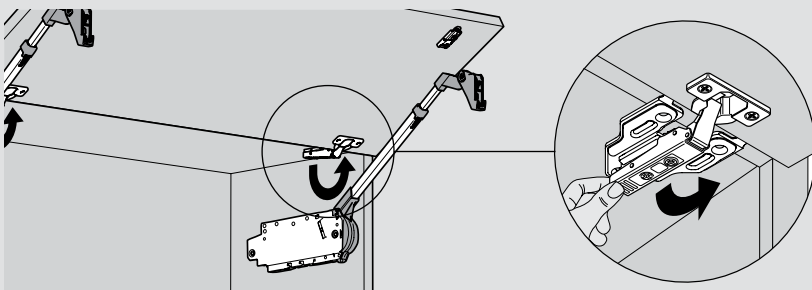
Release both arms and gently rest the top door on the loose arms. The tension will hold the doors up for the next step.

### 3 Removing the doors

- 1 Hold the bottom door while unclipping the bottom hinges.



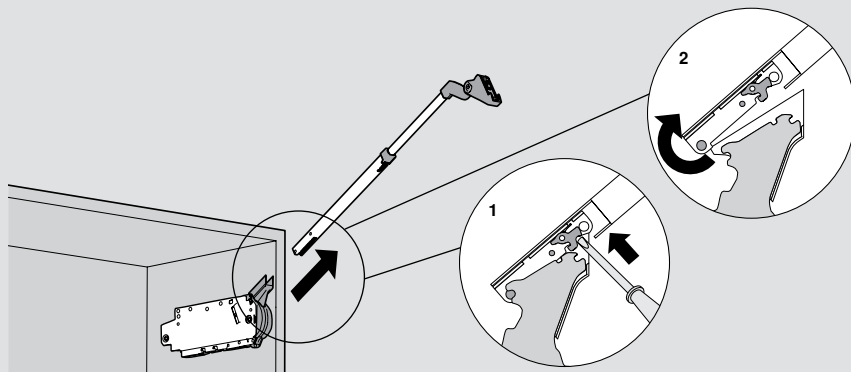
- 2 Hold the top door while detaching the top hinges. Simply unclip them if using the CLIP top hinges or loosen them if using COMPACT.



### 4 Removing the telescopic arms

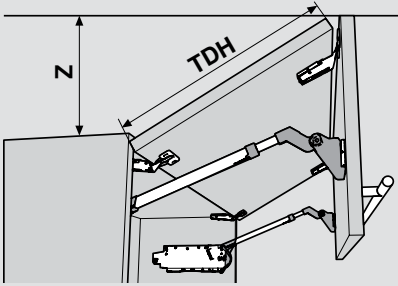
Using a screwdriver, depress the release tabs to remove telescopic arms.

If transporting the cabinet to the jobsite, stop here. Lift mechanisms stay inside the cabinet for easy transport.



# Other information

Door clearance above cabinet



$$Z = TDH \times .44 + 23$$

	Inch	mm	
	1/32	.031	1
	1/16	.063	1.5
	3/32	.094	2
	1/8	.125	3
	5/32	.156	4
	3/16	.188	5
	7/32	.219	5.5
	1/4	.25	6
	9/32	.281	7
	5/16	.313	8
	11/32	.344	9
	3/8	.375	9.5
	13/32	.406	10
	7/16	.438	11
	15/32	.469	12
	1/2	.5	13
	17/32	.531	13.5
	9/16	.563	14
	19/32	.594	15
	5/8	.625	16
	21/32	.656	17
	11/16	.688	17.5
	23/32	.719	18
	3/4	.75	19
	25/32	.781	20
	13/16	.813	20.5
	27/32	.844	21
	7/8	.875	22
	29/32	.906	23
	15/16	.938	24
	31/32	.969	24.5
	1	1	25.4

Blum, Inc.  
 7733 Old Plank Rd.  
 Stanley, NC 28164  
 800-438-6788  
 fax 704-827-0799  
 www.blum.com

