

CLIP top 155° Zero Protrusion

Hinges



Features

- For use in cabinets with interior roll-outs
- Three-dimensional adjustment
- Available with INSERTA attachment
- For door thicknesses up to **24** (15/16")
- Angle restriction clips available
- All metal hinge, nickel-plated

Minimum reveal table

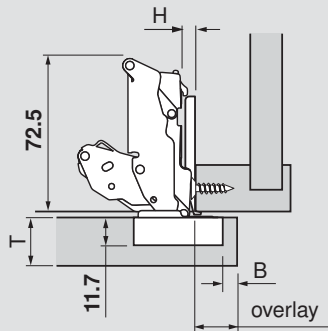
	3	4	5	6	7	8
0	0	0	0	0	0	0
1	0	0	0	0	0	0
2	0	0	0	0	0	0
3	0	0	0	0	0	0
4	0	0	0	0	0	0
5	0	0	0	0	0	0
6	0	0	0	0	0	0
7	0	0	0	0	0	0
8	0	0	0	0	0	0
B = boring distance	16	18	19	20	22	24

T = door thickness

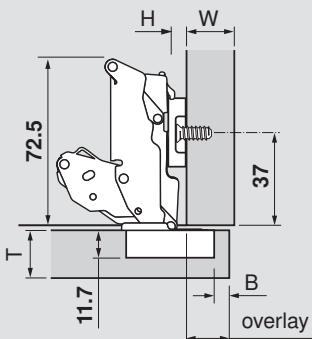
Thickness greater than **24** please see page 16

Overlay

Frame

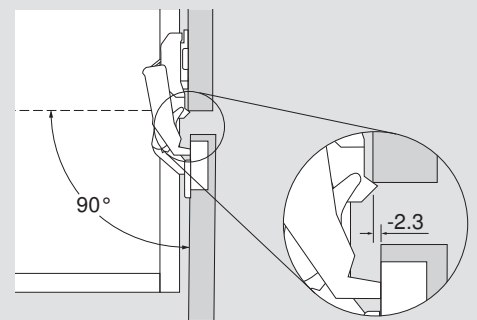


Frameless



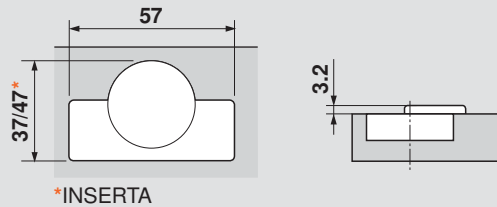
Door protrusion

At a 90° opening, using 0 mm plate, the door will have **-2.3 mm** protrusion regardless of boring distance. Use side adjustment to increase or decrease door protrusion.



NOTE: Use of 0 mm or 3 mm is recommended for zero protrusion

Hinge cup dimensions



Angle restriction clips

110° restriction clip

92° restriction clip



Gray nylon

Gray nylon

Part no.

Part no.

70T7553

70T7553.09

NOTE: See page 57 for instructions and details.

Abbreviations

H	=	Plate height
P	=	Door protrusion
S	=	Side arm protrusion
T	=	Door thickness
W	=	Side panel width

H	Overlay							P	S
0	14	15	16	17	18	19	-2.3	61	
3	11	12	13	14	15	16	0.7	64	
	3	4	5	6	7	8	Fixed distance = 11		
	B = boring distance								

Straight-arm	Self close
Screw-on	71T7550
INSERTA	71T7590