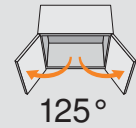


# Hinges



## CLIP top 125° zero protrusion for thicker doors



### Features

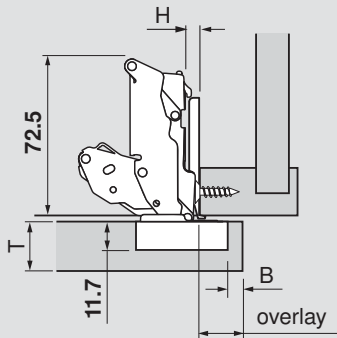
- Zero protrusion hinge for thicker doors
- For use in cabinets with interior roll-outs
- Three-dimensional adjustment
- For door thicknesses up to 30 (1-3/16")
- 92° angle restriction clip available (70T7503N)
- All metal hinge, nickel-plated
- Add-on BLUMOTION soft close available

		Minimum reveal table						
3		0	0	0	0	0	0	0
4		0	0	0	0	0	0	0
5		0	0	0	0	0	0	0
6		0	0	0	0	0	0	0
7		0	0	0	0	0	0	0
8		0	0	0	0	0	0	0
B = boring distance		19	20	22	24	26	28	30
		T = door thickness						

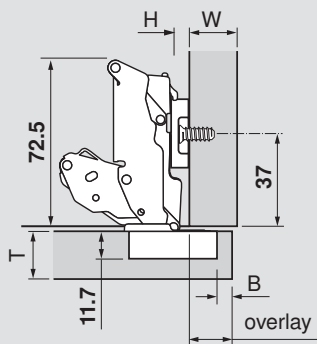
Thickness greater than 30 mm, see next page

### Overlay

#### Frame

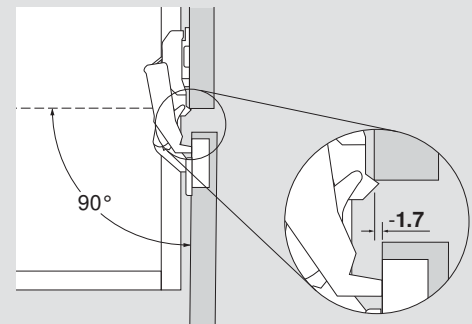


#### Panel



### Door protrusion

At 90° opening, using 0 mm plate, the door will have -1.7 mm protrusion regardless of boring distance. Use side adjustment to increase or decrease door protrusion.



**NOTE:** Use of 0 mm or 3 mm is recommended for zero protrusion

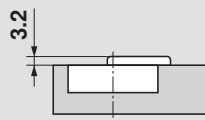
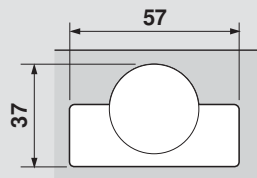
### Hinges per door

This chart can serve as a guide for determining the number of hinges per door. Note that door weight can also determine the number of hinges required for each door.

Cabinet height	Hinges required per door			
	2	3	4	5
100"				
80"				
60"				
40"		15-30 lb	30-45 lb	45-60 lb
20"	<15 lb			

**NOTE:** The distance between the top and bottom hinges must be greater than the width of the door

### Hinge cup dimensions



### Cover cap



- For use with zero protrusion hinges
- Steel, nickel-plated
- Custom logo available

Part no.

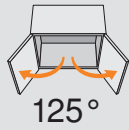
Cover cap **70.7503**

### Abbreviations

H	= Plate height
P	= Door protrusion
S	= Side arm protrusion
T	= Door thickness
W	= Side panel width

H	Overlay						P	S
0	14	15	16	17	18	19	-1.7	63
3	11	12	13	14	15	16	1.3	66
	3	4	5	6	7	8	Fixed distance = 11	
	B = boring distance							

Straight-arm	Self close
Screw-on	<b>71T7500D</b>
Press-in	<b>71T7530D</b>



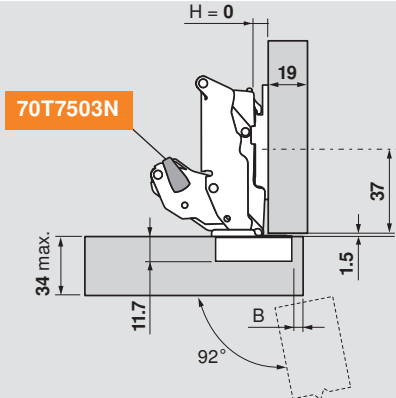
# CLIP top 125° special applications

# Hinges



CLIP top

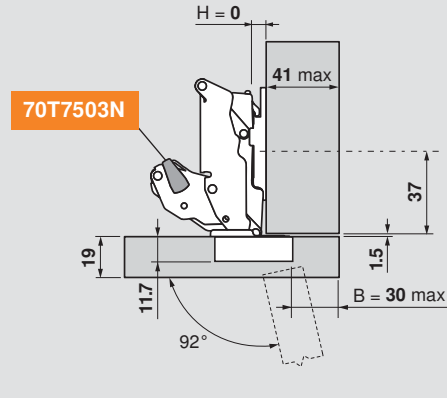
### Maximum door thickness



**NOTE:** Thickness of 30 mm or greater, angle restriction clip required

H	Overlay					
0	14	15	16	17	18	19
	3	4	5	6	7	8
B = boring distance						

### Maximum door overlay

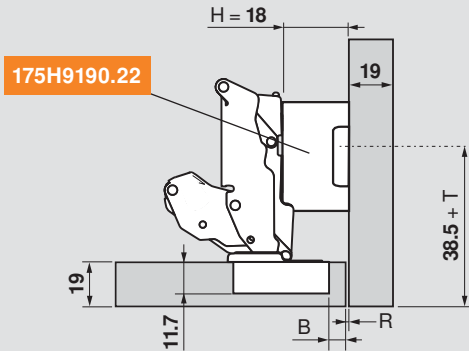


**NOTE:** Must use angle restriction clip to achieve application

H	Overlay			
0	36	38	39	41
	25	27	28	30
B = boring distance				

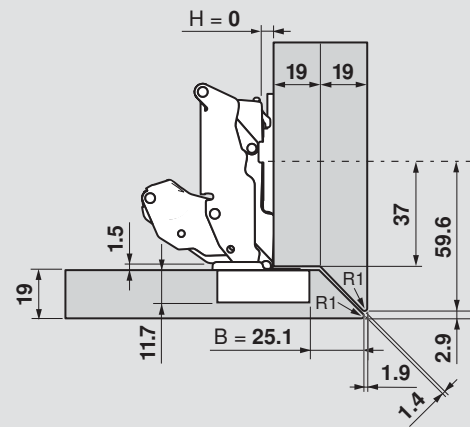
**NOTE:** Inset application can also be achieved with a straight-arm hinge with a 18 mm plate. Setback of mounting plate would be 38.5 mm + door thickness.

### Inset panel application



H	Reveal					
18	4.5	3.5	2.5	1.5	0.5	-
	3	4	5	6	7	8
B = boring distance						

### Mitered door with large overlay



**For all special applications, a trial application is always recommended**

**NOTE:** All 125° special applications can be achieved in face frame cabinets by blocking out behind the frame

### Angle restriction clip



- For use with zero protrusion hinges
- Gray nylon

Part no.

92° restriction clip **70T7503N**

### BLUMOTION for doors

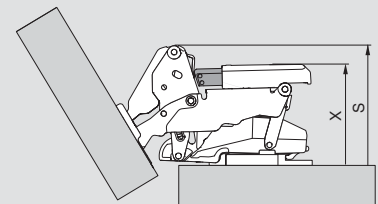


- For use with zero protrusion hinges
- Designed for one BLUMOTION per self closing hinge, however quantity may vary depending on door size and weight

Part no.

BLUMOTION for doors **973A7000**

### Protrusion dimensions



Hinge	S = 63
BLUMOTION for doors	X = 57