

TANDEM plus BLUMOTION



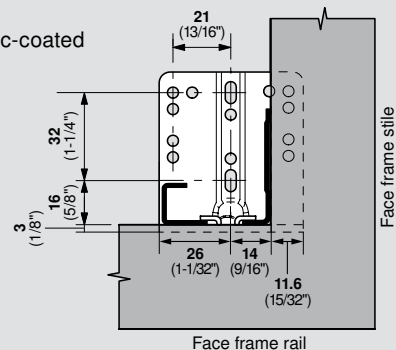
Rear Attachment Options

Screw-on bracket

Two required per drawer



- For TANDEM 554 and 563 H/F series runners only
- Lateral self-alignment 3 (1/8")
- Non-handed, one-piece stamped steel design, zinc-coated
- Use at least three #6 wood screws
- Not for use with 563 series 9" runners



Part no.

Screw-on bracket

295.3750.03

Installation screw

606N or 606P

NOTE: Illustration is for 563 series