

Blum® Assembly Fittings and Connectors

Fittings

The Blum RTA (ready to assemble) fittings are suitable for cabinets and furniture.

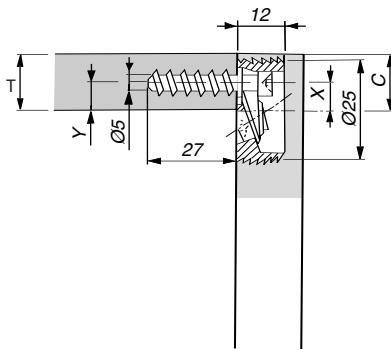
- High strength nylon housing
- Zinc die cast cams draw joints tight for a rigid assembly
- 25mm bit required, below
- **Order connectors and housings separately**

For 3/4" Panels

C (Hole center for housing) = 17.5

X = 8

Y = 9.5



3/4" Panels

B042.0110.01BRN Housing, brown

B042.0110.01WH Housing, white

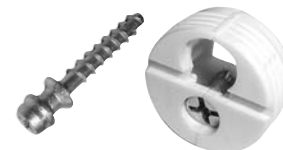
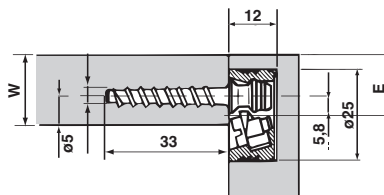
B042.0720.21 Screw

For 5/8" Panels

C (Hole center for housing) = 14

X = 6

Y = 8



5/8" Panels

B040.0110N W White Housing

B040.0720 Zinc Screw