

# 9903 HEAVY DUTY UNDERMOUNT



**PRIDE INDUSTRIAL**  
DECORATIVE HARDWARE  
FUNCTIONAL HARDWARE  
& MORE



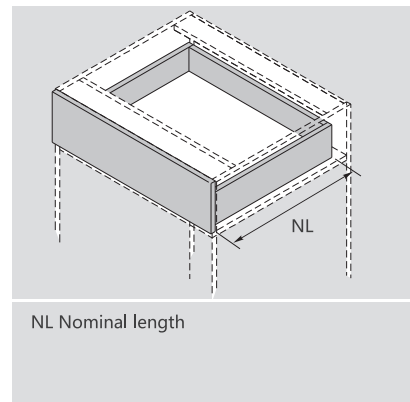
## PRODUCT



## DESCRIPTION

- Load capacity: 60kg
- Finish: zink plated
- Length: 457-762mm, full extension
- Silent system guarantees smooth run without noise
- 2D adjustment, up&down: 0-3mm, side:  $\pm 1.5$ mm
- 3D adjustment, up&down: 0-3mm, side:  $\pm 1.5$ mm, depth: 0-3.5mm

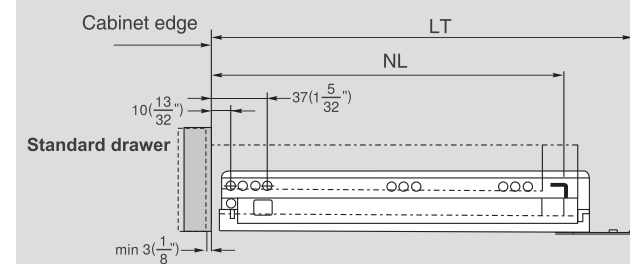
## SPACE REQUIREMENT



## PLANNING

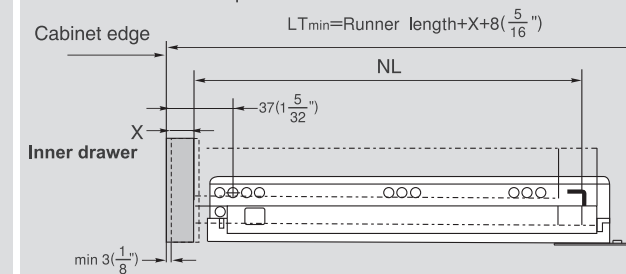
### Installation Dimensions(mm)

NL=Nominal Slide Length  
LT=Internal Cabinet Depth





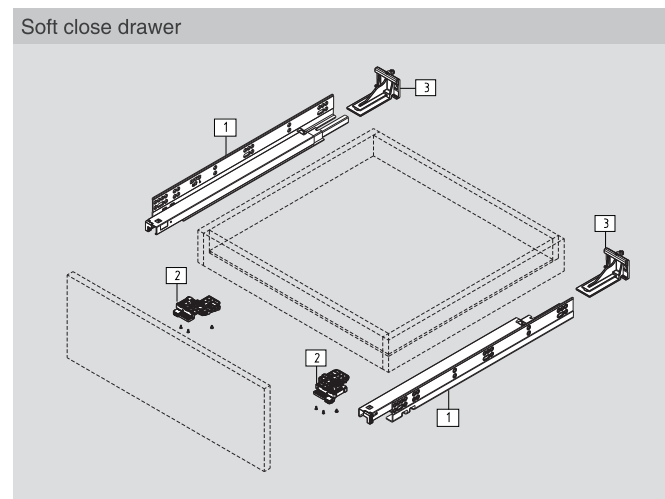
### Installation Dimensions(mm)


NL=Nominal Slide Length  
LT=Internal Cabinet Depth





## SOFT CLOSE DRAWER

<b>1</b>		Slides (left/right)		
		"*":Only for frameless cabinet Pre-zinc Steel(F02)		
		NL	 Soft Close slide item No.	
		457(18")	<b>990318SOFT</b>	10
		533(21")	<b>990321SOFT</b>	10

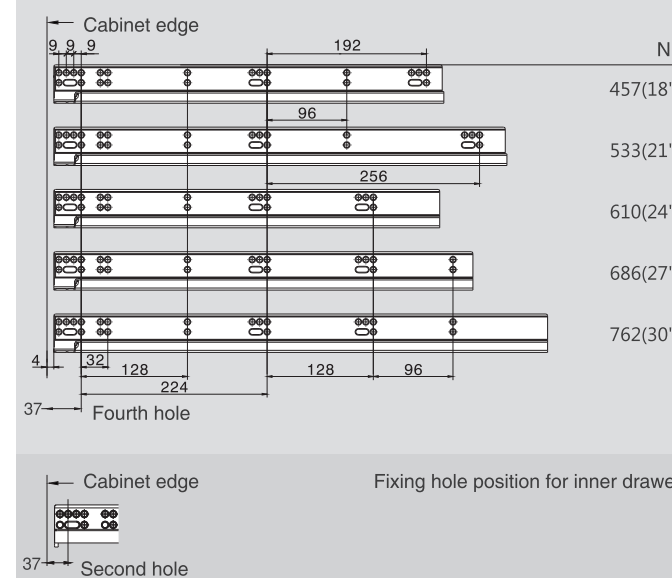



<b>2</b>		3D Locking Device (with Flange) (left/right)		
		Grey(H11)		
		Item No.	<b>9900CLIPS</b>	

<b>3</b>		Plastic Rear Mounting Bracket for Frame Cabinets		
		Grey(H11)		
		Only for drawer length 457(18"),533(21")		
		Item No.	<b>9900BRKTP</b>	

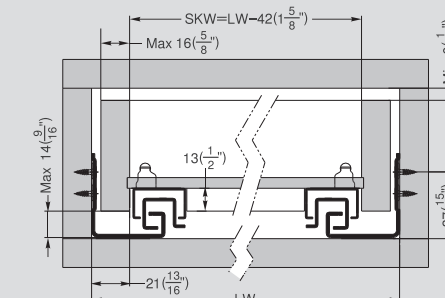
		Metal Rear Mounting Bracket for Frame Cabinets		
		Zinc Plated(B02)		
		Only for drawer length 457(18"),533(21")		
		Item No.	<b>9900BRKTM</b>	


### Screw Positions of the Slides(mm)



### Installation Dimensions(mm)

LW=Internal Cabinet Width



Drawer length	Runner length	Internal Cabinet Depth	
		Max	Min
457(18")	470(18 1/2")	522(20 9/16")	479(18 7/8")
533(21")	546(21 1/2")	598(23 9/16")	555(21 7/8")
610(24")	465(18 3/10")		
686(27")	505(19 9/10")		
762(30")	595(23 2/5")		

### Rear Mounting Bracket Preparation, Back Preparation, Locking Device Installation(mm)

