

# D-MOTION PLUS FACE FRAME

DS20 Series Full Extension Undermount Slides for Frame and Frameless Cabinets



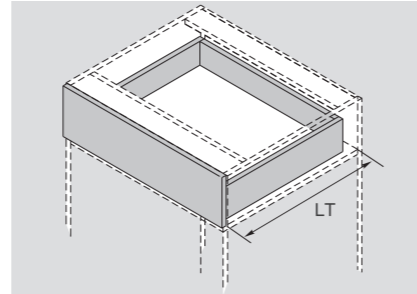
## PRODUCT



## DESCRIPTION

- Load capacity: 40kg
- Finish: zink plated
- Length: 229-533mm, full extension
- Silent system guarantees smooth run without noise
- 2D adjustment, height:0-3mm,side:± 1.5mm
- 3D adjustment, height:0-3mm,side:± 1.5mm depth: 0-3.5mm

## SPACE REQUIREMENT

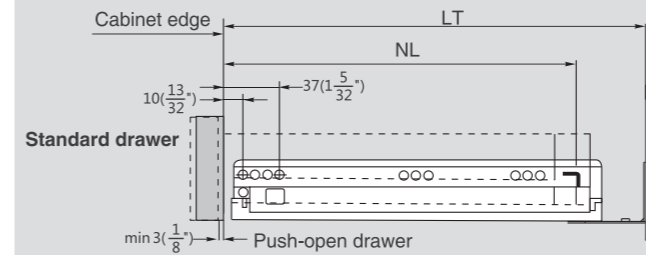


LT=Internal Cabinet Depth

## PLANNING

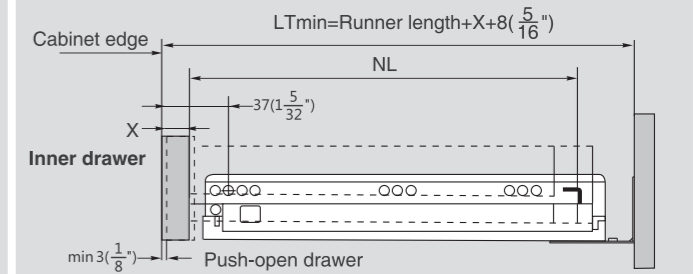
### Installation Dimensions(mm)

NL=Nominal Slide Length  
LT=Internal Cabinet Depth



### Installation Dimensions(mm)

NL=Nominal Slide Length  
LT=Internal Cabinet Depth



## SOFT CLOSE DRAWER /PUSH-OPEN DRAWER

1	Slides (left/right)	
Pre-zinc Steel(F02)		
NL	Soft Close slide item No.	Set/ctn
229(9")	98809SOFT	10
305(12")	988012SOFT	10
381(15")	988015SOFT	10
457(18")	988018SOFT	10
533(21")	988021SOFT	10

2	3D Locking Device (left/right)	
Grey(H11)		

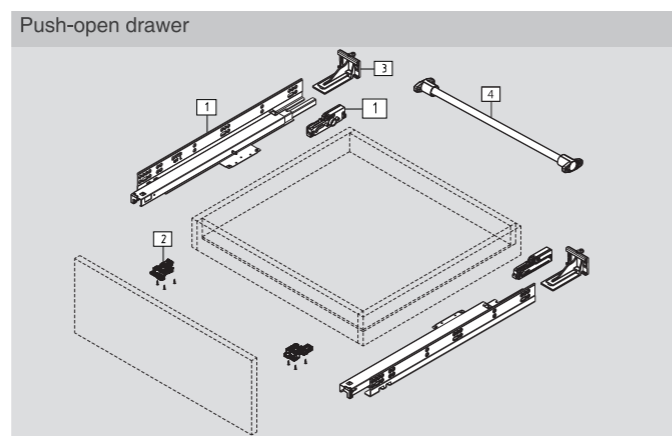
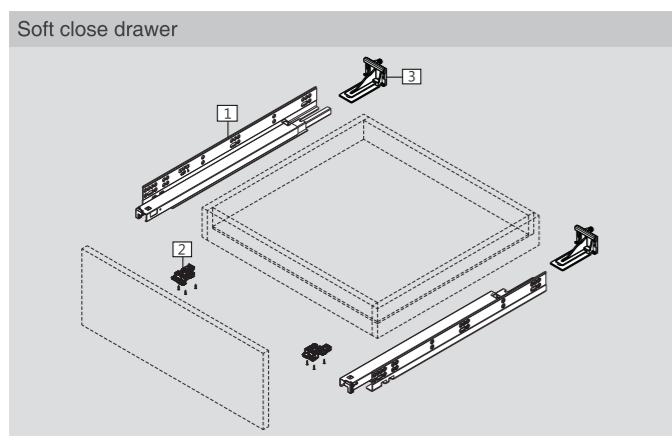
2	2D Locking Device (left/right)	
Grey(H11)		

3	Plastic Rear Mounting Bracket for Frame Cabinets	
Grey(H11)		
Only for drawer length 305(12")-533(21")		
Item No.		9880BRKT

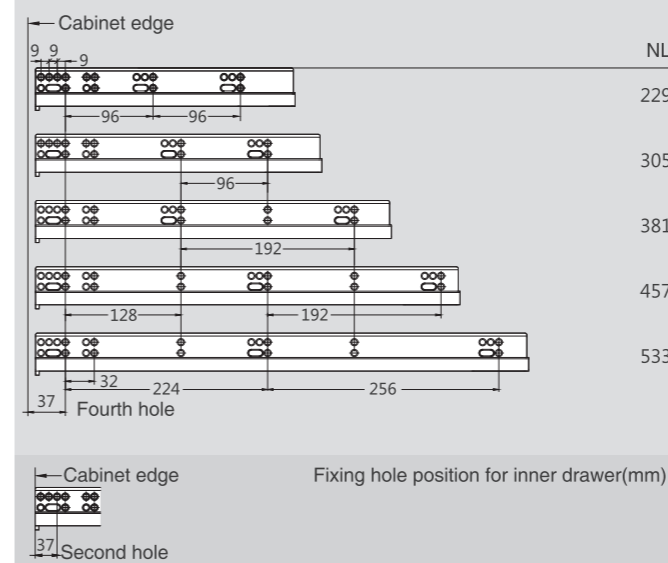
3	Plastic Rear Mounting Bracket for Frame Cabinets	
Grey(H11)		
Only for drawer length 229(9")		

3	Metal Rear Mounting Bracket for Frame Cabinets	
Zinc Plated(B02)		
Item No.		9800BRKT

4	Rod for Push-open Synchronization	
(For cutting to size,1100mm. Cutting:Internal cabinet width LW-172)		
Silver Grey(E18)		

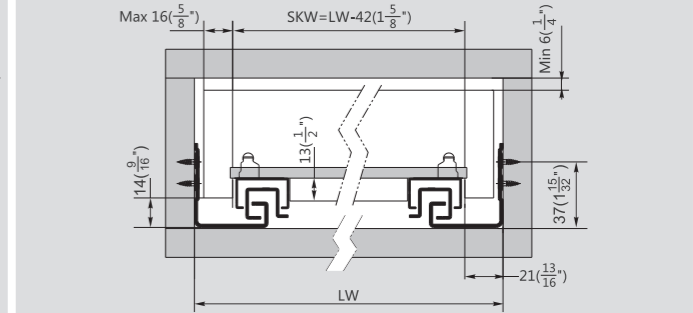


### Screw Positions of the Slides(mm)



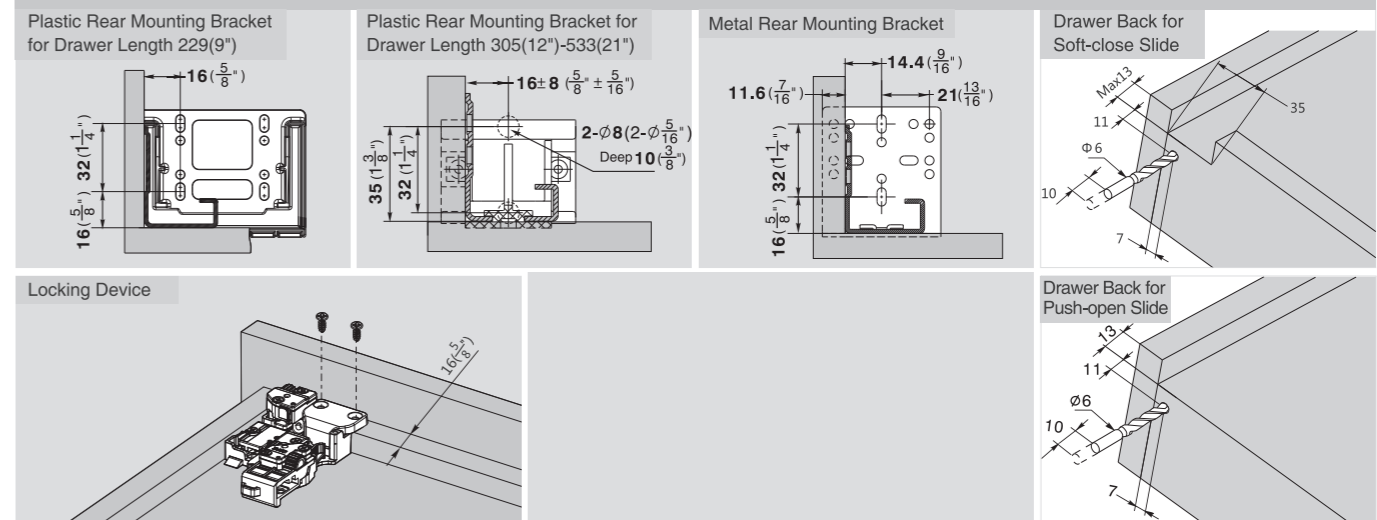
### Installation Dimensions(mm)

LW=Internal Cabinet Width



Drawer length	Runner length	Internal Cabinet Depth	
		Max	Min
229(9")	256(10")	298(11 3/4")	283(11 1/8")
305(12")	317(12 1/2")	369(14 9/16")	326(12 7/8")
381(15")	394(15 1/2")	446(17 9/16")	403(15 7/8")
457(18")	470(18 1/2")	522(20 9/16")	479(18 7/8")
533(21")	546(21 1/2")	598(23 9/16")	555(21 7/8")

### Rear Mounting Bracket Preparation,Back Preparation,Locking Device Installation(mm)

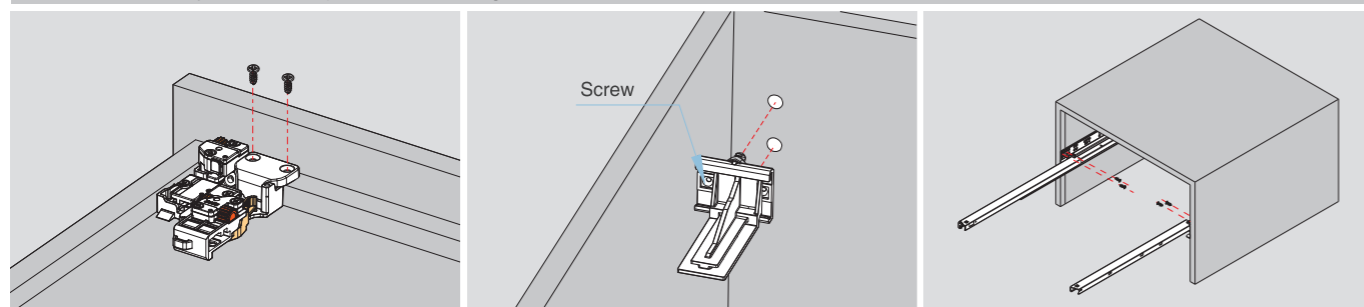


# ASSEMBLY AND ADJUSTMENT

Assembly and Adjustment(for D-MOTION PLUS FACE FRAME)



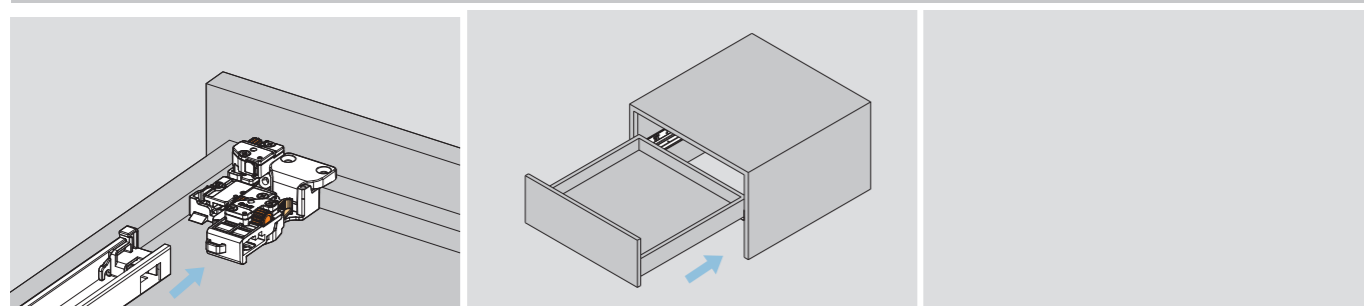
## Drawer Assembly with 3D Adjustment Locking Device



Fix the locking device onto the drawer bottom and fix the rear bracket onto the cabinet back.

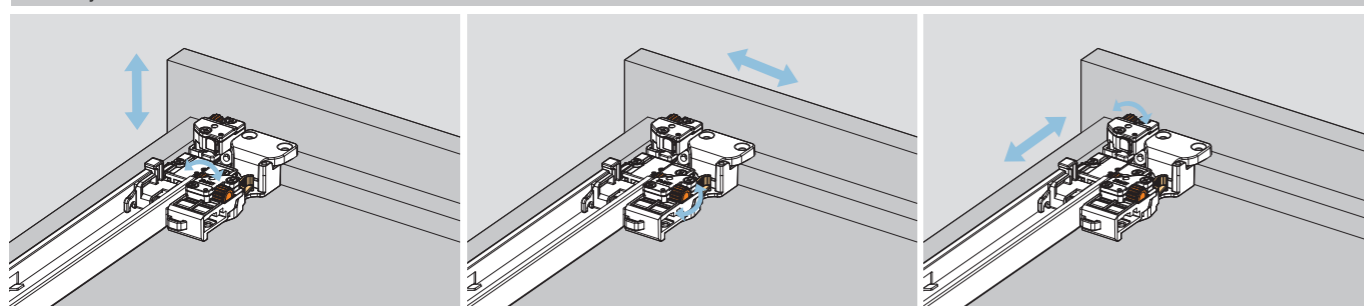
Fix the slide onto the cabinet.

## Drawer Assembly with 3D Adjustment Locking Device



Lay the drawer bottom onto the slide then push the drawer into the cabinet.

## 3D Adjustment

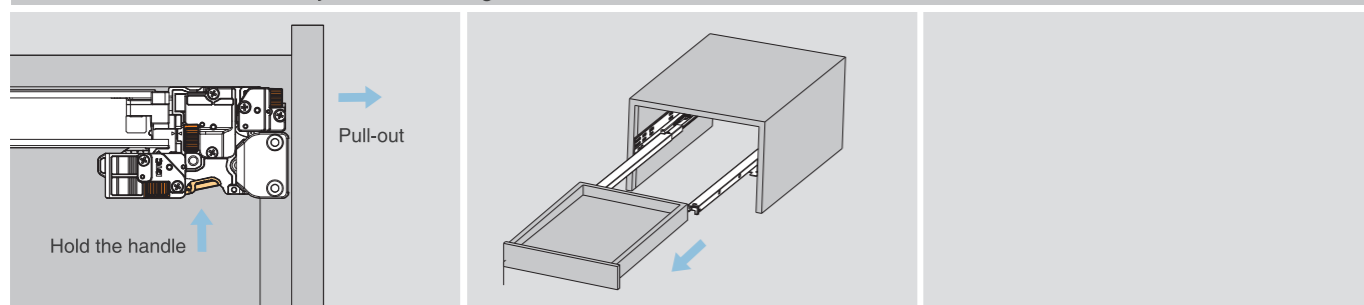


Height adjustment

Side adjustment

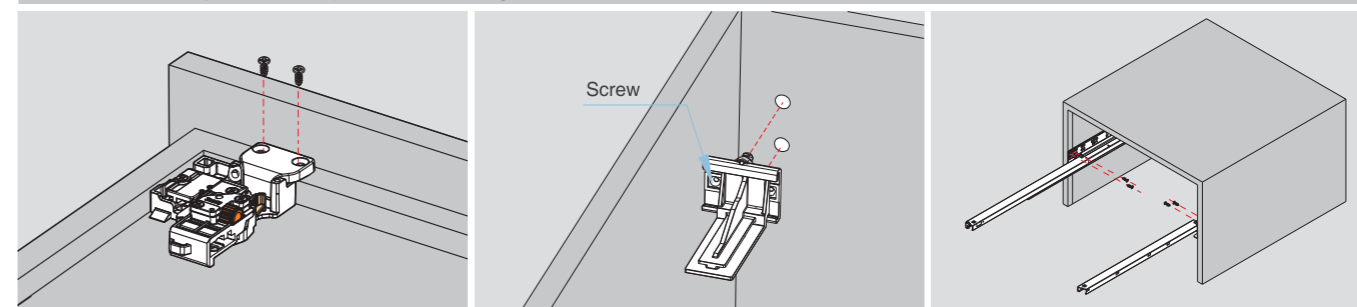
Depth adjustment

## Drawer Removal with 3D Adjustment Locking Device



For removal, hold the handle and pull out the drawer.

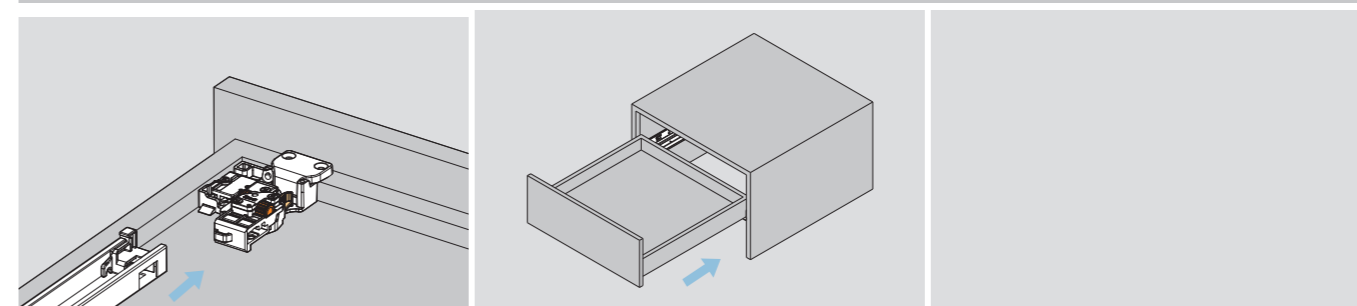
## Drawer Assembly with 2D Adjustment Locking Device



Fix the locking device onto the drawer bottom and fix the rear bracket onto the cabinet back.

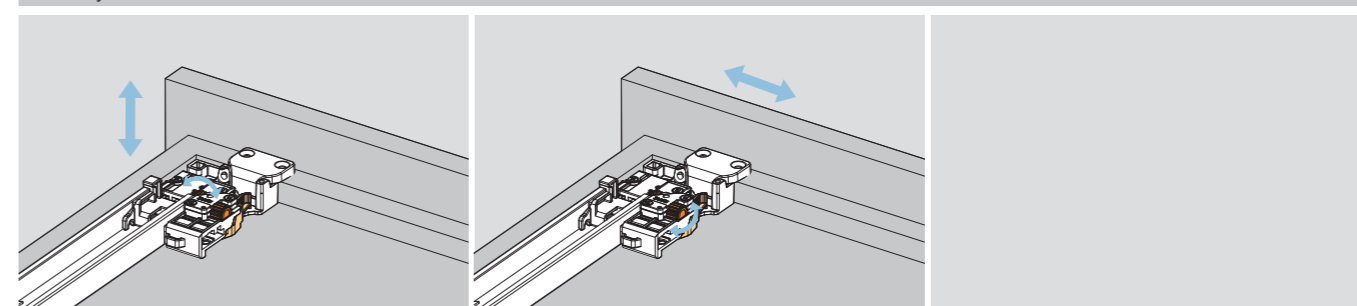
Fix the slide onto the cabinet.

## Drawer Assembly with 2D Adjustment Locking Device



Lay the drawer bottom onto the slide then push the drawer into the cabinet.

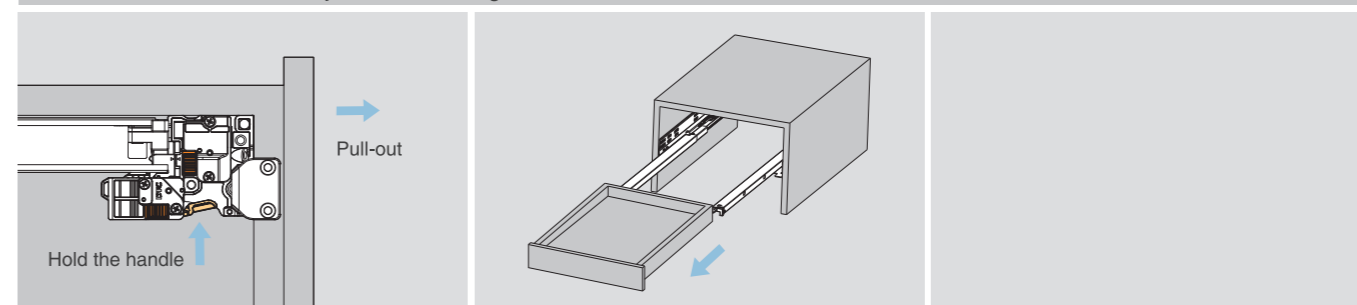
## 2D Adjustment



Height adjustment

Side adjustment

## Drawer Removal with 2D Adjustment Locking Device



For removal, hold the handle and pull out the drawer.