



PRIDE INDUSTRIAL LLC
DECORATIVE, FUNCTIONAL HARDWARE & MORE



UNDERMOUNT
SLIDES

D-MOTION FACE
FRAME

D-MOTION FACE

Soft-close and silent system

A Smooth Drawer



- D-motion Face Frame undermount slide, full extension, silent and soft-close.
- With peg/locking devices, various options for users.
- Highly stable construction, verified durability.



Quietness



Intelligence



Durability



Eco-Friendliness

D-MOTION FACE FRAME

SS20 Series Full Extension Undermount Slides for Frame and Frameless Cabinets



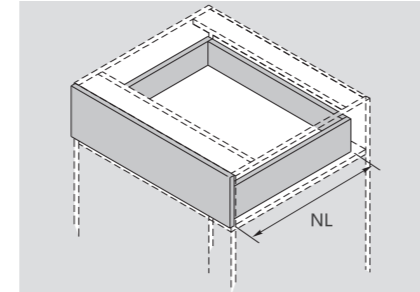
PRODUCT



DESCRIPTION

- Load capacity: 35kg
- Finish: zink plated
- Length: 229-533mm
- Full extension
- Drawer height adjustment: 0~+3mm
- Tool free assembly and removal of drawer
- Silent system guarantees smooth run without noise

SPACE REQUIREMENT

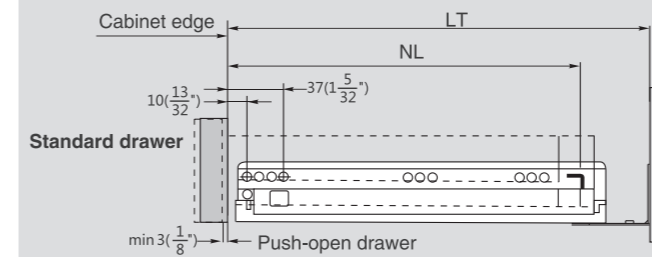


NL Nominal length

PLANNING

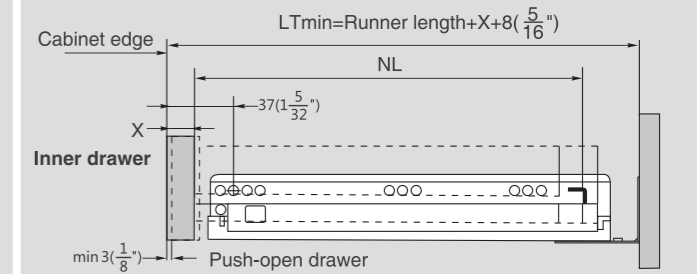
Installation Dimensions(mm)

NL=Nominal Slide Length
LT=Internal Cabinet Depth



Installation Dimensions(mm)

NL=Nominal Slide Length
LT=Internal Cabinet Depth



SOFT CLOSE DRAWER /PUSH-OPEN DRAWER

1	Slides (left/right)
Pre-zinc Steel(F02)	
NL	Soft Close slide item No. Set/ctn
229(9")	98009SOFT 10
305(12")	980012SOFT 10
381(15")	980015SOFT 10
457(18")	980018SOFT 10
533(21")	980021SOFT 10
	Push-open slide item No. Set/ctn

2	Locking Device (left/right)
Grey(H11)	

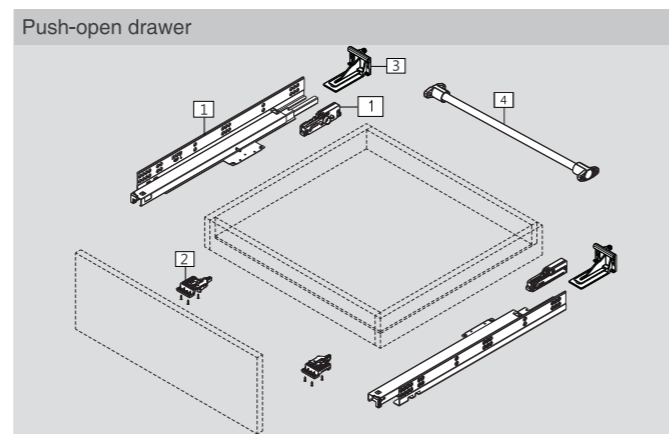
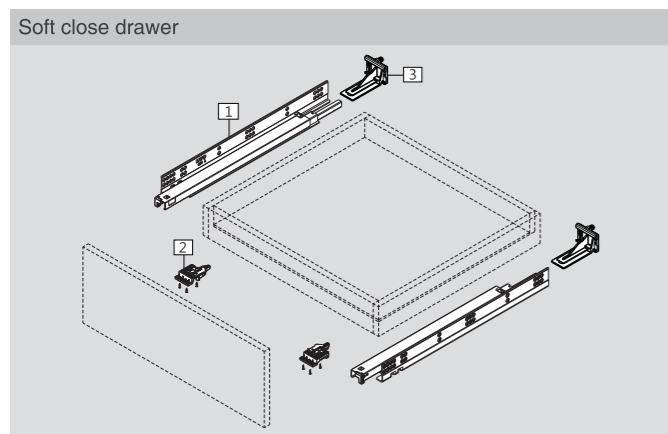
2	Locking Device (with Flange) (left/right)
Grey(H11)	

3	Plastic Rear Mounting Bracket for Frame Cabinets
Grey(H11)	
Only for drawer length 305(12")-533(21")	
Item No.	9880BRKT

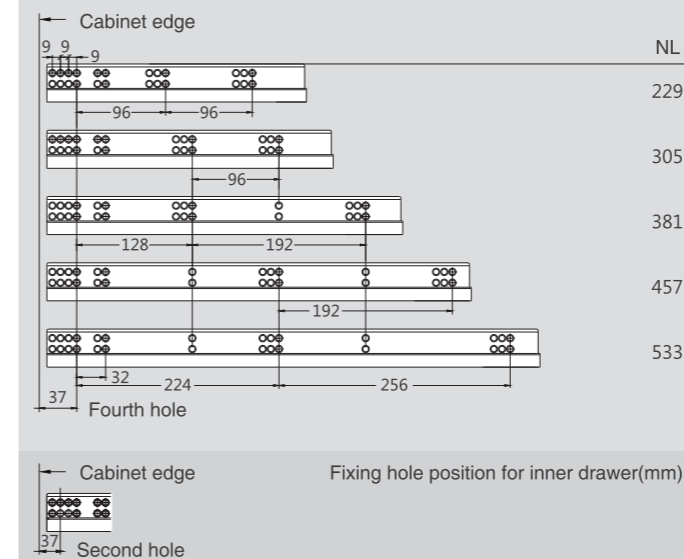
3	Plastic Rear Mounting Bracket for Frame Cabinets
Grey(H11)	
Only for drawer length 229(9")	

4	Rod for Push-open Synchronization (For cutting to size,1100mm. Cutting:Internal cabinet width LW-172)
Silver Grey(E18)	

3	Metal Rear Mounting Bracket for Frame Cabinets Zinc Plated(B02)
Item No.	9800BRKT

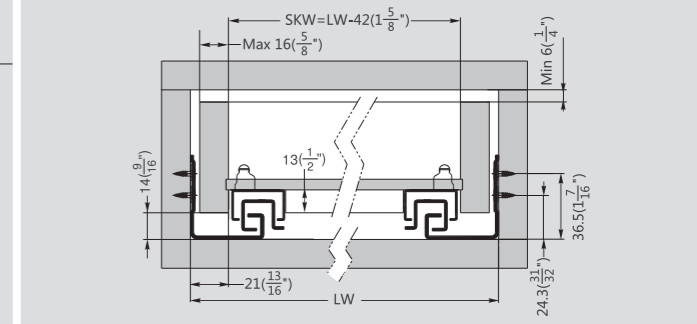


Screw Positions of the Slides(mm)



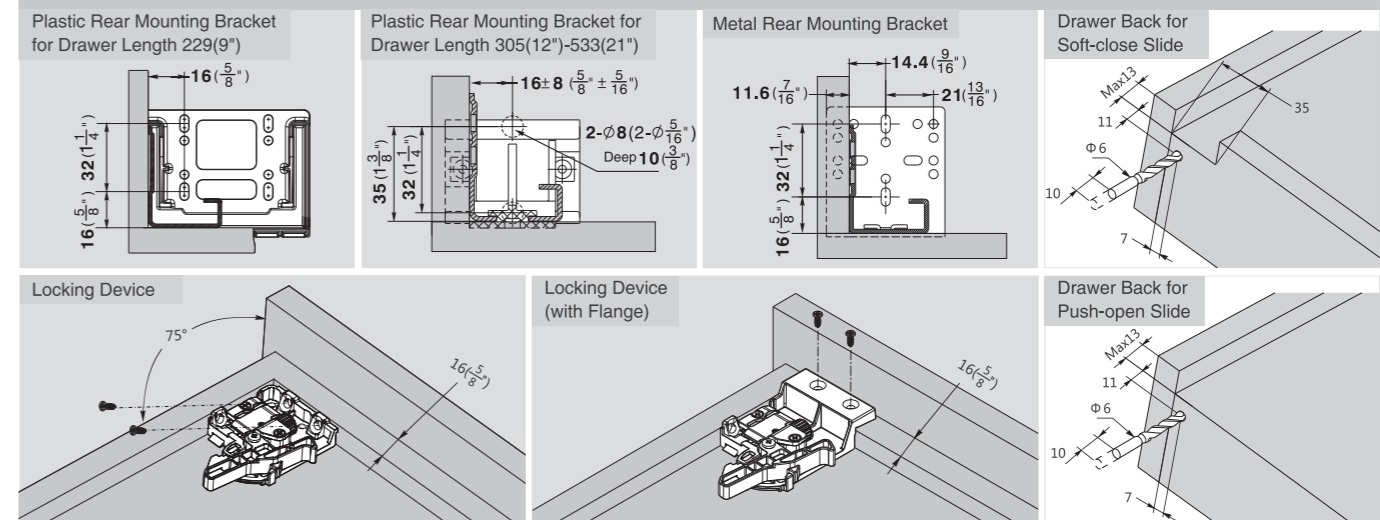
Installation Dimensions(mm)

LW=Internal Cabinet Width



Drawer length	Runner length	Internal Cabinet Depth	
		Max	Min
229(9")	256(10 1/2")	298(11 3/4")	283(11 1/8")
305(12")	317(12 1/2")	369(14 9/16")	326(12 7/8")
381(15")	394(15 1/2")	446(17 9/16")	403(15 7/8")
457(18")	470(18 1/2")	522(20 9/16")	479(18 7/8")
533(21")	546(21 1/2")	598(23 9/16")	555(21 7/8")

Rear Mounting Bracket Preparation,Back Preparation,Locking Device Installation(mm)



D-MOTION FACE FRAME

SS30 Series Full Extension Undermount Slides for Frame and Frameless Cabinets



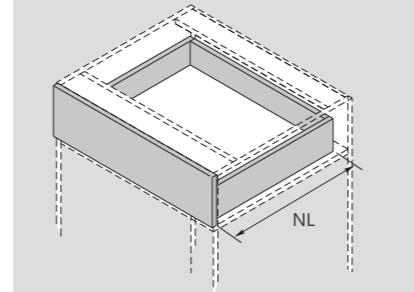
PRODUCT



DESCRIPTION

- Load capacity: 35kg
- Finish: zink plated
- Length: 229-533mm
- Full extension
- Drawer height adjustment: 0~+3mm
- Tool free assembly and removal of drawer
- Silent system guarantees smooth run without noise

SPACE REQUIREMENT

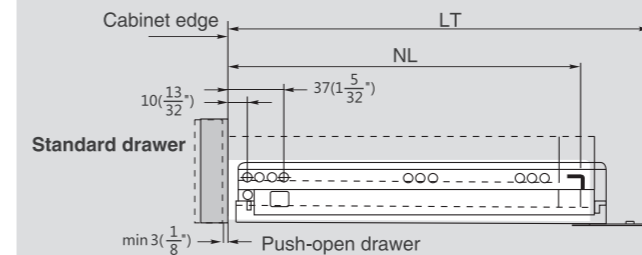


NL Nominal length

PLANNING

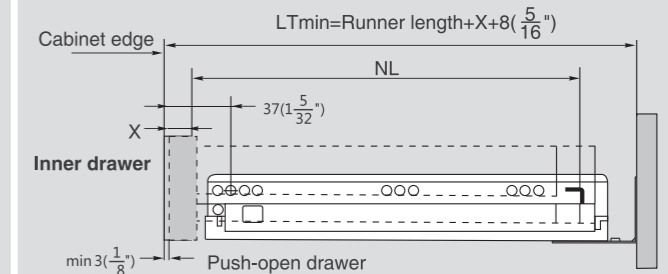
Installation Dimensions(mm)

NL=Nominal Slide Length
LT=Internal Cabinet Depth



Installation Dimensions(mm)

NL=Nominal Slide Length
LT=Internal Cabinet Depth



SOFT CLOSE DRAWER / PUSH-OPEN DRAWER

1	Slides (left/right)
Pre-zinc Steel(F02)	
NL	Soft Close slide item No.
	Push-open slide item No.
229(9")	98009SOFT 10
305(12")	980012SOFT 10
381(15")	980015SOFT 10
457(18")	980018SOFT 10
533(21")	980021SOFT 10

2	Locking Device (left/right)
Grey(H11)	

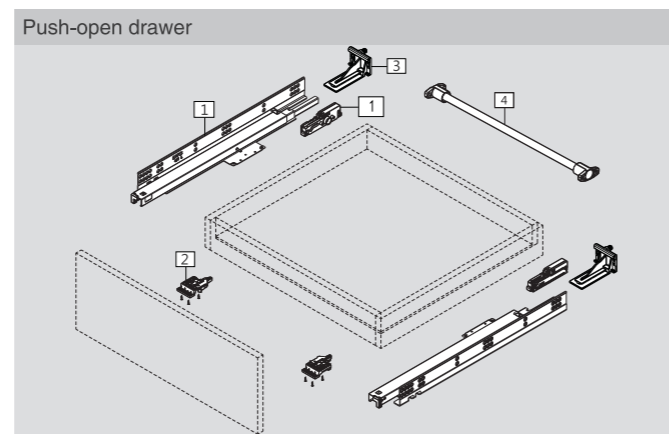
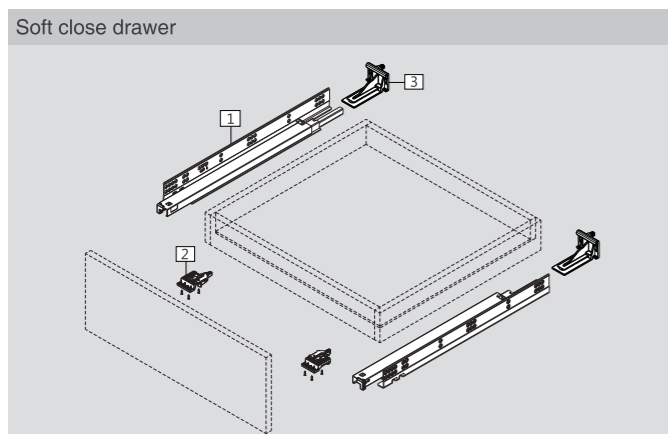
2	Locking Device (with Flange) (left/right)
Grey(H11)	

3	Plastic Rear Mounting Bracket for Frame Cabinets
Grey(H11)	
Only for drawer length 305(12")-533(21")	
Item No.	9880BRKT

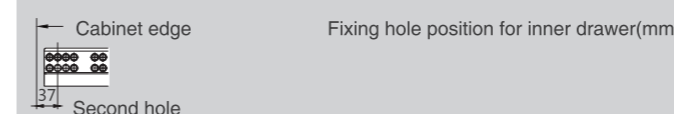
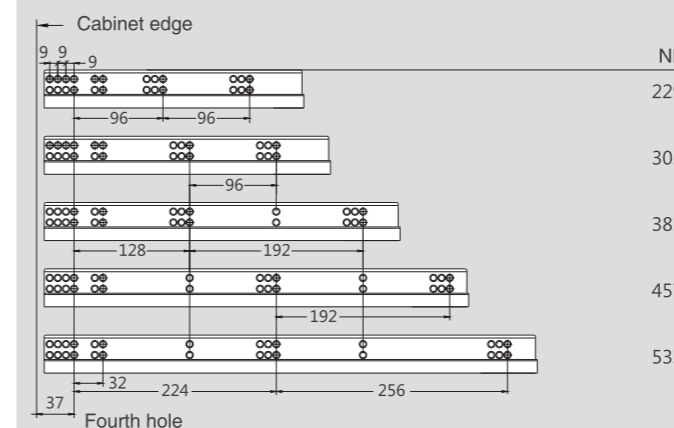
3	Plastic Rear Mounting Bracket for Frame Cabinets
Grey(H11)	
Only for drawer length 229(9")	

4	Rod for Push-open Synchronization (For cutting to size,1100mm. Cutting:Internal cabinet width LW-180)
Silver Grey(E18)	

3	Metal Rear Mounting Bracket for Frame Cabinets Zinc Plated(B02)
Item No.	9800BRKT

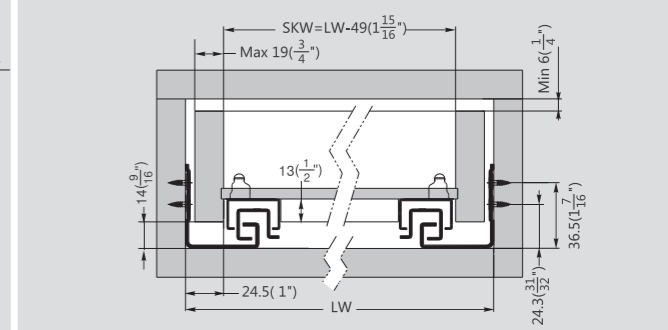


Screw Positions of the Slides(mm)



Installation Dimensions(mm)

LW=Internal Cabinet Width



Drawer length	Runner length	Internal Cabinet Depth	
		Max	Min
229(9")	256(10 1/2")	298(11 3/4")	283(11 1/8")
305(12")	317(12 1/2")	369(14 9/16")	326(12 7/8")
381(15")	394(15 1/2")	446(17 9/16")	403(15 7/8")
457(18")	470(18 1/2")	522(20 9/16")	479(18 7/8")
533(21")	546(21 1/2")	598(23 9/16")	555(21 7/8")

Rear Mounting Bracket Preparation, Back Preparation, Locking Device Installation(mm)

Plastic Rear Mounting Bracket for Drawer Length 229(9")

Plastic Rear Mounting Bracket for Drawer Length 305(12")-533(21")

Metal Rear Mounting Bracket

Drawer Back for Soft-close Slide

Locking Device

Locking Device (with Flange)

Drawer Back for Push-open Slide