

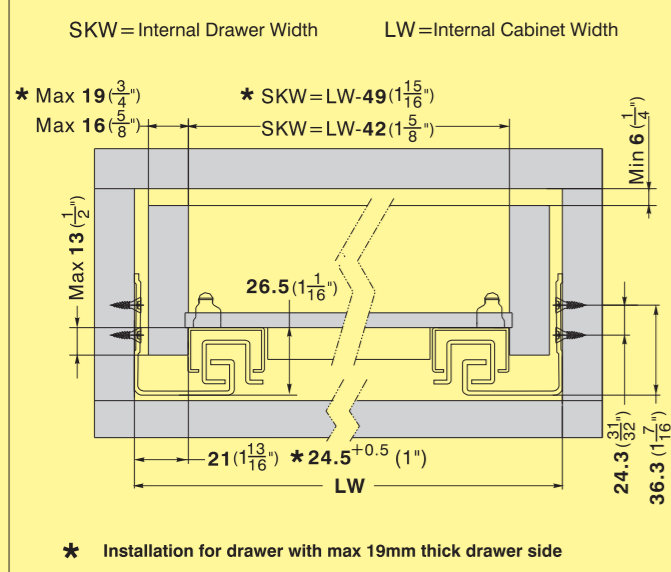


PRIDE INDUSTRIAL LLC

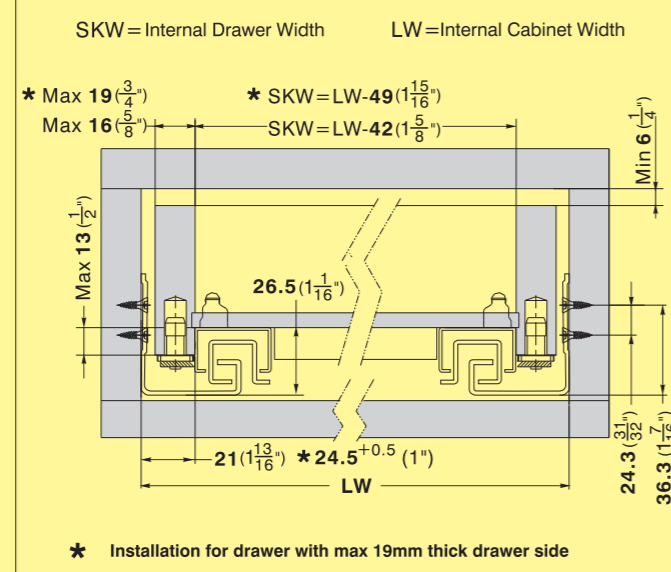
DECORATIVE, FUNCTIONAL HARDWARE & MORE

Full extension undermount slides installation

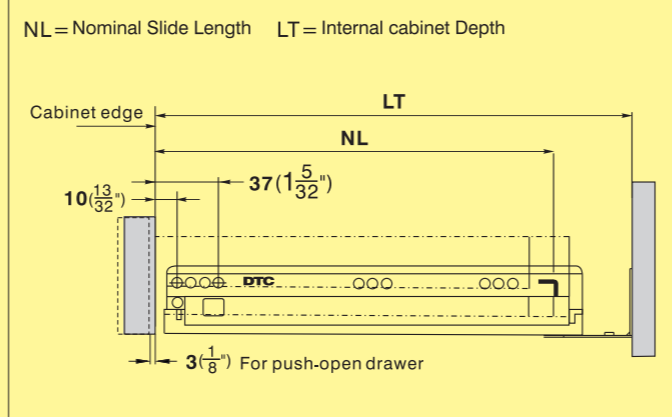
Drawer installation dimensions(with locking device)



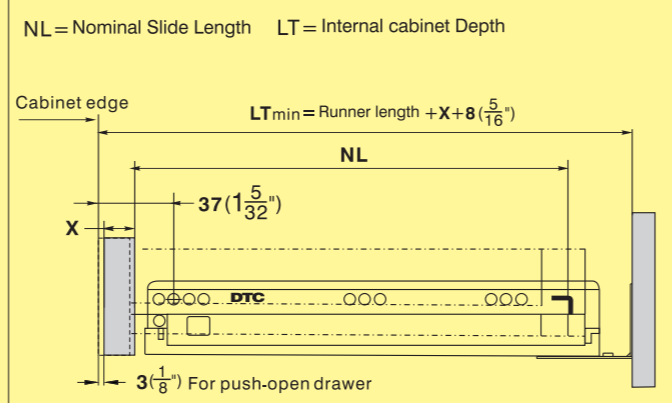
Drawer installation dimensions(with peg)



Drawer installation dimensions

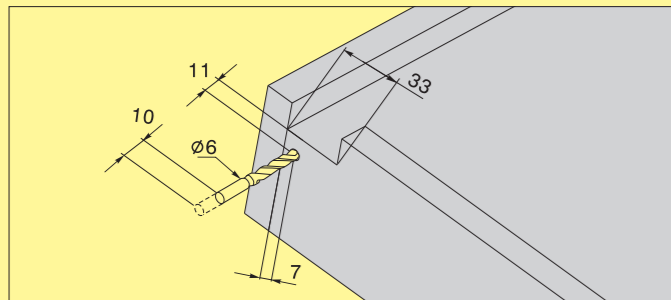


Inner drawer installation dimensions

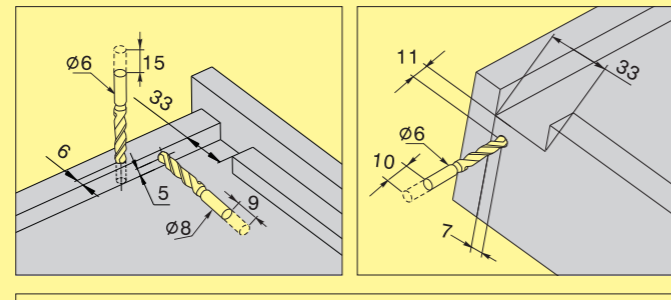


Drawer length	Runner length	Internal cabinet Depth	
		Max	Min
229 (9")	256 $(10\frac{1}{4})$	298 $(11\frac{3}{8})$	283 $(11\frac{1}{8})$
305 (12")	317 $(12\frac{1}{2})$	369 $(14\frac{3}{8})$	326 $(12\frac{7}{8})$
381 (15")	394 $(15\frac{1}{2})$	446 $(17\frac{3}{8})$	403 $(15\frac{7}{8})$
457 (18")	470 $(18\frac{1}{2})$	522 $(20\frac{3}{8})$	479 $(18\frac{7}{8})$
533 (21")	546 $(21\frac{1}{2})$	598 $(23\frac{3}{8})$	555 $(21\frac{7}{8})$

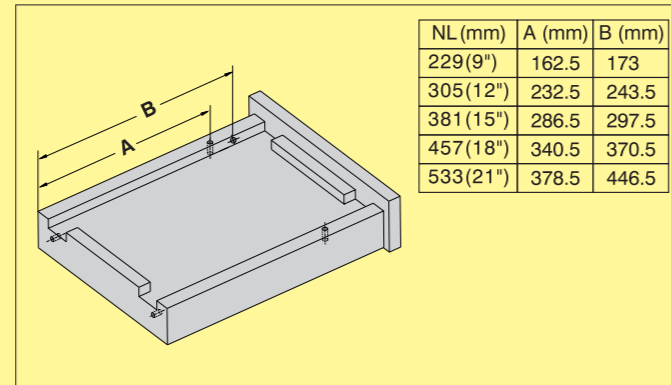
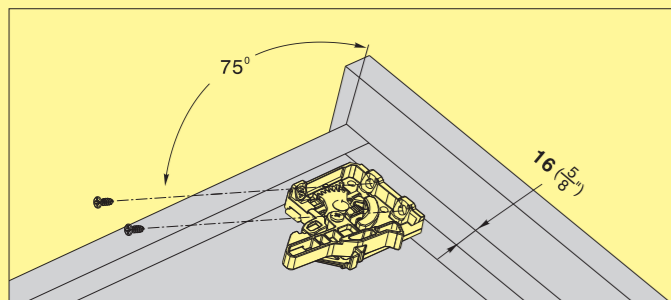
Drawer preparation



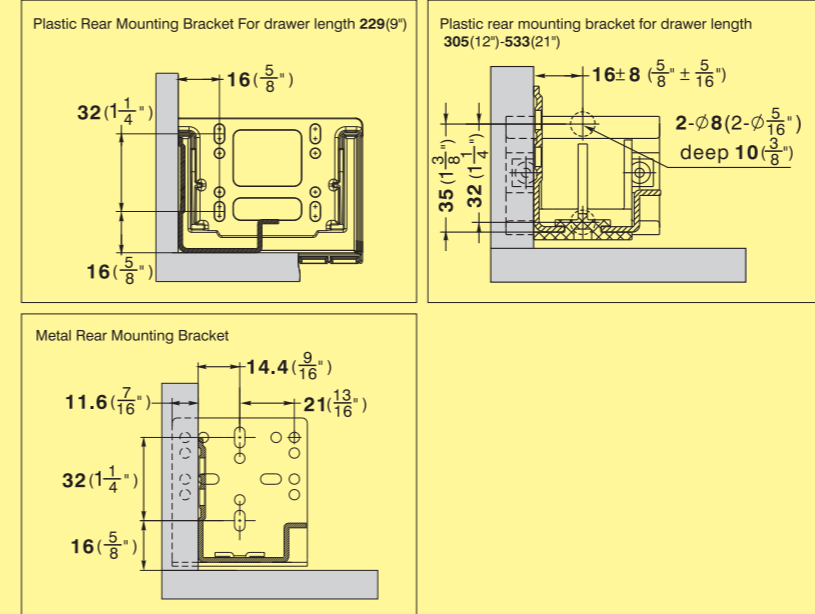
Drawer preparation



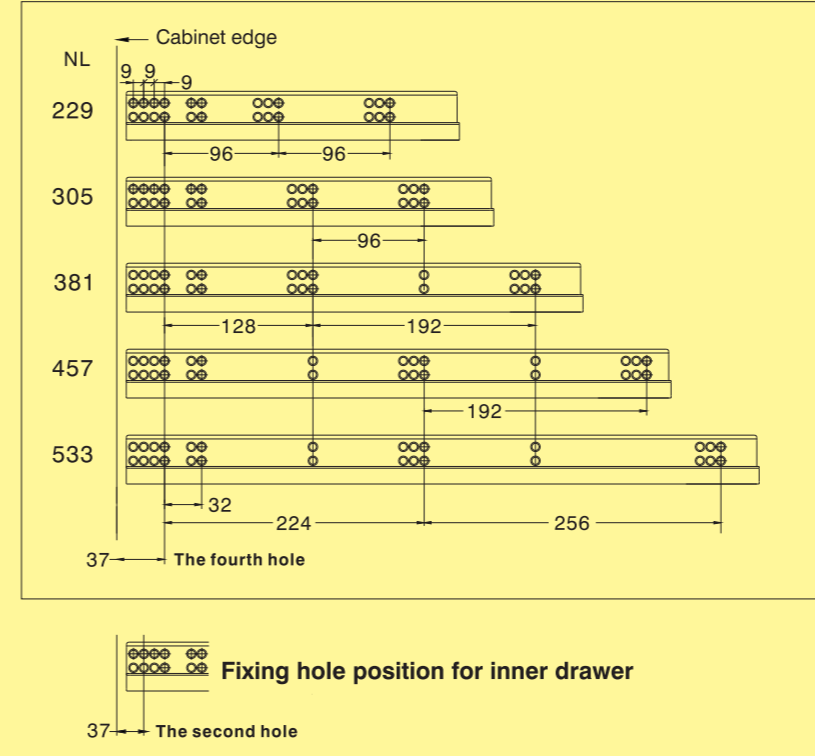
Locking device installation



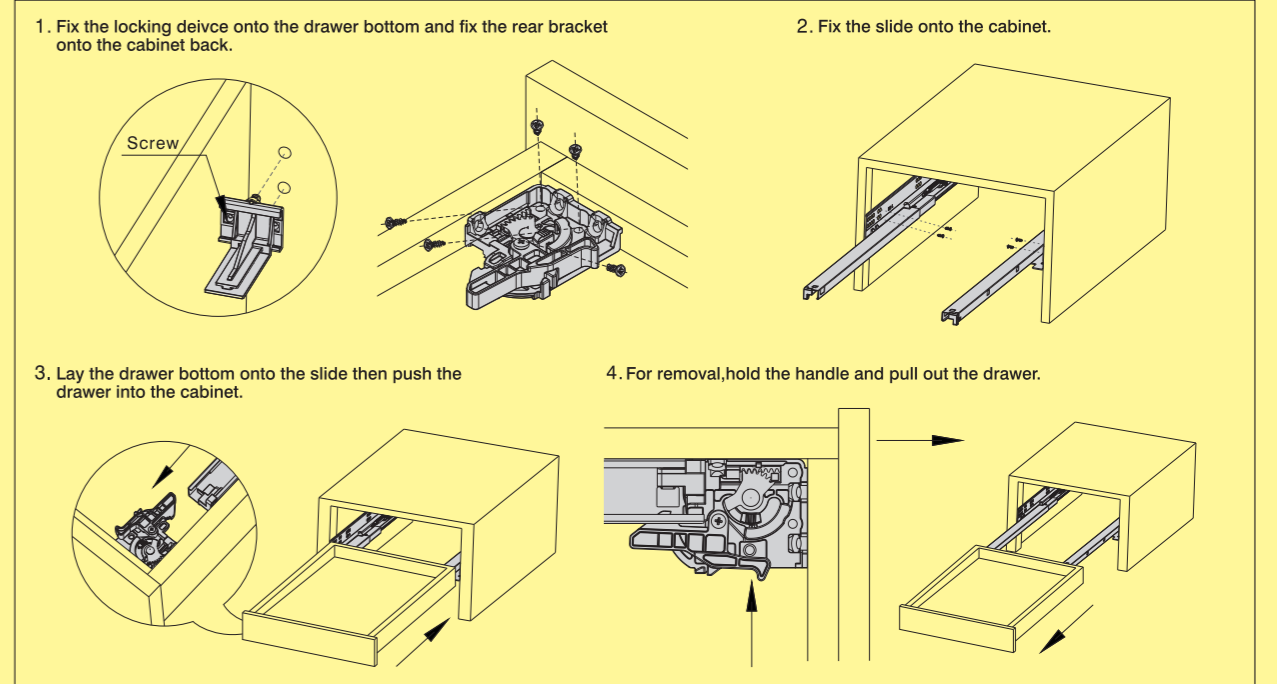
Rear mounting bracket preparation



Screw Positions of the Slides



Drawer assembly and removal(with locking device)



Drawer assembly and removal(with peg)

