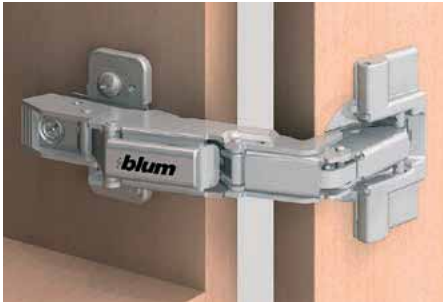


CLIP top 170° hinges



Features

- 170° opening angle
- Three-dimensional adjustment
- Available with INSERTA tool-free attachment
- 130° angle restriction clip available (70.6103)
- All metal hinge, nickel-plated

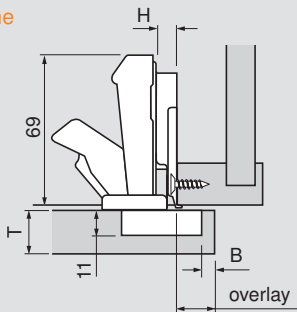
Minimum reveal table						
3	0	0	0	0	0.2	2.2
4	0	0	0	0	0	1.4
5	0	0	0	0	0	0.9
6	0	0	0	0	0	0
7	0	0	0	0	0	0
8	0	0	0	0	0	0
B = boring dist.	16	18	19	20	22	24

T = door thickness

Thickness greater than 24 trial application recommended

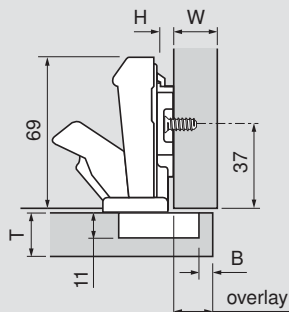
Overlay

Frame



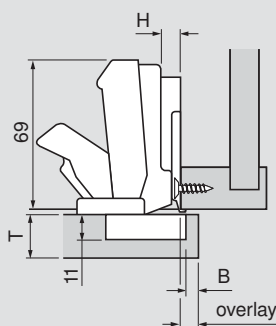
NOTE: 175H6xxx or 175L6600.24 recommended

Panel



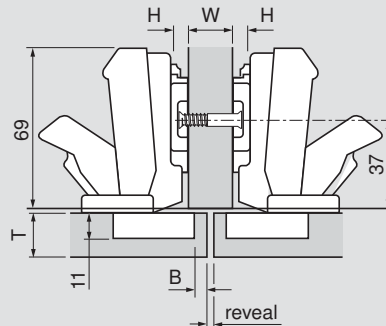
Partial/twin overlay

Frame



NOTE: 175H6xxx or 175L6600.24 recommended

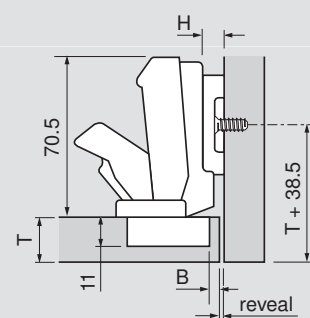
Panel



Inset

Inset application not possible with 170° hinges and the inset face frame adapter (175H5030.21)

Panel



H	Overlay							P	S
0	14	15	16	17	18	19	1.5	65	
3	11	12	13	14	15	16	4.5	68	
4.5	9.5	10.5	11.5	12.5	13.5	14.5	6	69.5	
6	8	9	10	11	12	13	7.5	71	
9	5	6	7	8	9	10	10.5	74	
	3	4	5	6	7	8	Fixed distance = 11		
	B = boring distance								

NOTE: 4.5 plate is only for use in face frame cabinets, 9 plate is only for panel cabinets

H	Overlay							P	S
0	4.5	5.5	6.5	7.5	8.5	9.5	11	75	
	3	4	5	6	7	8	Fixed distance = 1.5		
	B = boring distance								


H	Reveal					W	P	S
	7	5	3	1	—	16		
0	10	8	6	4	2	0	19	11
	13	11	9	7	5	3	22	
	3	4	5	6	7	8	Fixed distance = -7.5	
	B = boring distance							


H	Reveal					P	S	
9	4.5	3.5	2.5	1.5	0.5	—	20	84
	3	4	5	6	7	8	Fixed distance = -7.5	
	B = boring distance							

Abbreviations

H	=	Plate height
P	=	Door protrusion
S	=	Side arm protrusion
T	=	Door thickness
W	=	Side panel width

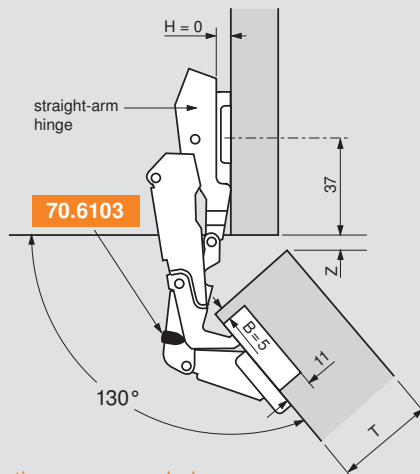
Straight-arm	Self close	Free swing
Screw-on	71T6550	70T6550
Press-in 	71T6580	
INSERTA	71T6540B	70T6540B

Half-cranked	Self close	Free swing
Screw-on	71T6650	70T6650
Press-in 	71T6680	
INSERTA	71T6640B	

Half-cranked	Self close	Free swing
Screw-on	71T6650	70T6650
Press-in 	71T6680	
INSERTA	71T6640B	

Straight-arm applications

Thick door application



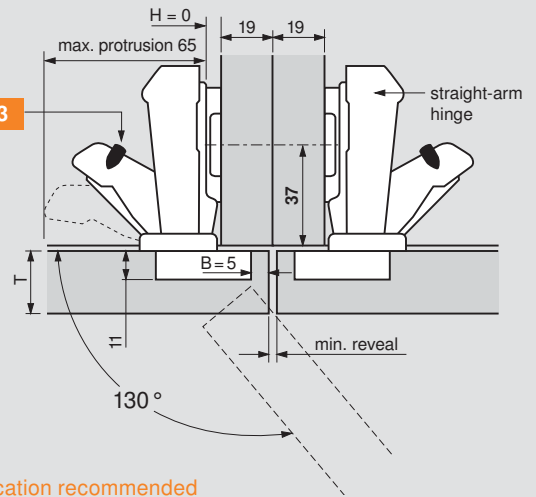
Trial application recommended

Z = gap

15.5	13	11	9.5	7.5
25	29	32	35	38

T = door thickness

Thick door — twin application



Trial application recommended

Minimum reveal table

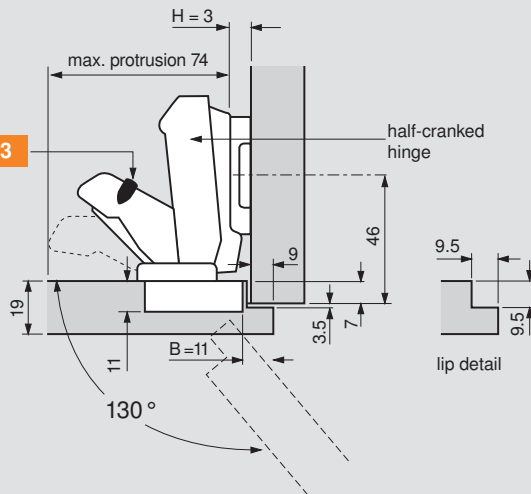
0	6.5	14.5	21
22	25	29	32

T = door thickness

CLIP top/CLIP

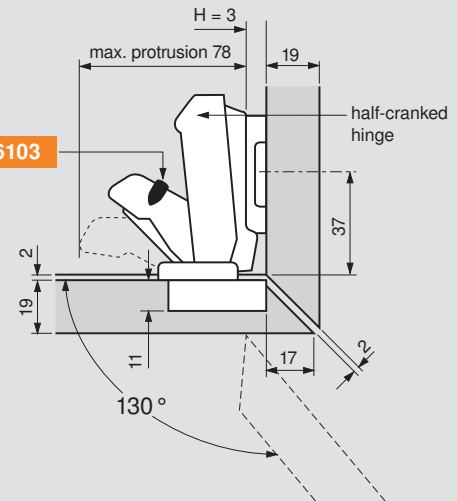
Half-cranked applications

Lip door application



Trial application recommended

Mitered corner door application



Trial application recommended

NOTE: The above applications can be achieved in face frame cabinets by blocking out behind the frame

Angle restriction clip



- Reduces opening angle of the CLIP top 170° to 130°
- Installs quickly, easily and tool-free
- Black nylon

Part no.

Angle restriction clip **70.6103**