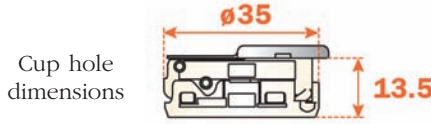


# SALICE Concealed Hinges, 110° Soft-Close

## 110° Silentia Soft-Close Euro Hinges

- Integrated soft-close device in the hinge cup
- 13.5mm cup depth
- 35mm cup diameter
- Plates sold separately



Use the formulas below to determine the type of hinge arm, the drilling distance "K" and the mounting plate "H" necessary for the application.

**K** = drilling distance (3mm - 6mm)

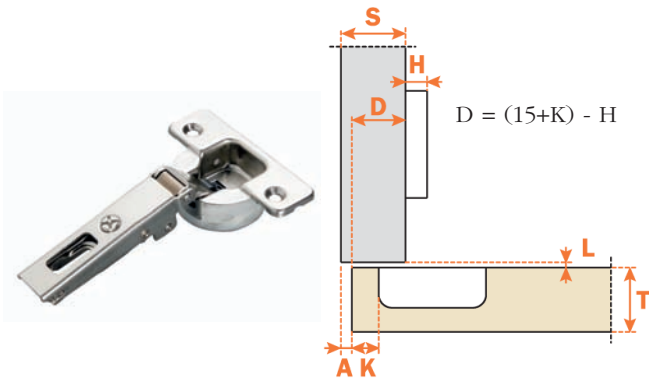
**H** = mounting plate height

**D** = overlay of door on side panel or frame

**S** = thickness of cabinet panel

A=Space needed to open the door		T=	16	17	18	19	20	21	22	23	24	25	26
K=3	A=	0.7	0.9	1.1	1.3	1.6	1.9	2.2	2.6	3.2	4.4	5.7	
K=4	A=	0.6	0.8	1.1	1.3	1.6	1.8	2.2	2.5	2.9	3.4	4.7	
K=5	A=	0.6	0.8	1.0	1.3	1.5	1.8	2.1	2.4	2.8	3.2	3.7	
K=6	A=	0.6	0.8	1.0	1.2	1.5	1.8	2.1	2.4	2.7	3.1	3.6	
K=7	A=	0.6	0.8	1.0	1.2	1.4	1.7	2.0	2.3	2.7	3.1	3.5	

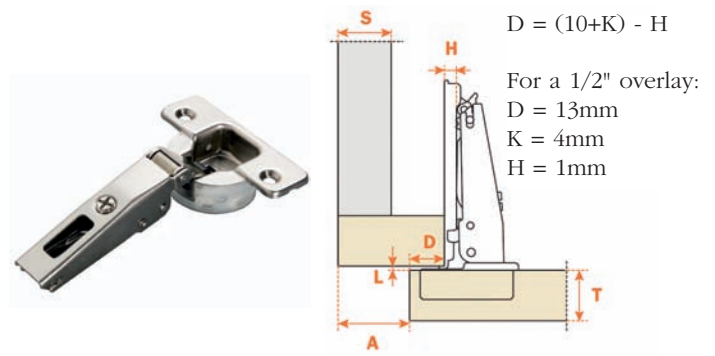
## 110° Silentia - Full Overlay "A" Crank



- SAC7P6AD9** Screw-on
- SAC7R6AD9** Press-in
- SAC7J6AD9** Logica

## 110° Silentia - 1/2" Overlay "D" Crank

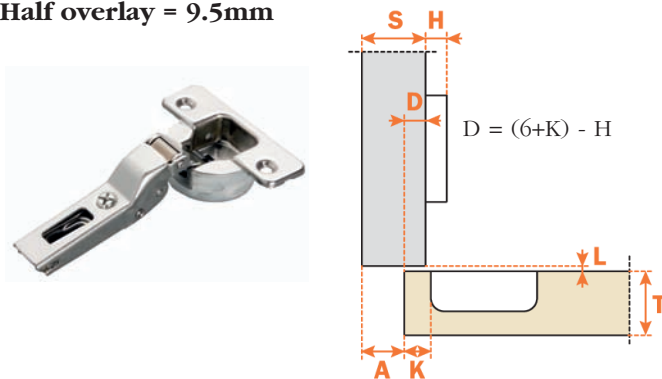
Popular for use with face frame cabinets



- SAC7P6DD9** Screw-on
- SAC7R6DD9** Press in
- SAC7J6DD9** Logica

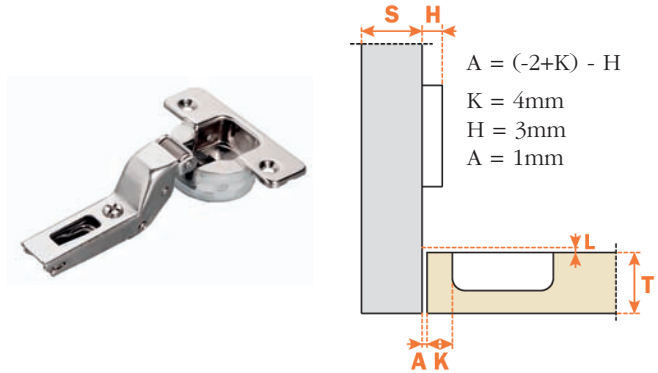
## 110° Silentia - Half Overlay "G" Crank

Half overlay = 9.5mm



- SAC7P6GD9** Screw-on
- SAC7R6GD9** Press in
- SAC7J6GD9** Logica

## 110° Silentia - Inset "P" Crank



- SAC7P6PD9** Screw-on
- SAC7R6PD9** Press in
- SAC7J6PD9** Logica

### Millimeter to inch equivalents

1	1.5	2	3	4	5	5.5	6	7	8	9	9.5	10	11	12	13	14	15	16	17	17.5	18	19	20	20.5	21	22	23	24	24.5	25.4
1/32	1/16	3/32	1/8	5/32	3/16	7/32	1/4	9/32	5/16	11/32	3/8	13/32	7/16	15/32	1/2	9/16	19/32	5/8	21/32	11/16	23/32	3/4	25/32	13/16	27/32	7/8	29/32	15/16	31/32	1