

Full Access Quadro (FAQ)

► Face frame application



- Meets or exceeds ANSI/BHMA 156.9 grade 1 requirements.
- Dynamic load capacity up to 75 lbs (total, drawer incl. contents), as per ANSI/BHMA 156.9 grade 1 specifications on a 18" length slide. Length dependent.
- Full Access: economical solution with minimised extension loss.
- Stop Control: a spring-operated mechanism closes the drawer automatically.
- Silent System: an integrated damping device realises silent drawer closing.
- Slide-on assembly: simply push the drawer in for connection.
- Strong, resilient tracks and precision steel balls for optimal slide action.
- Integrated roll-out prevention inhibits accidental opening.
- Tool-free drawer height adjustment.
- Installation accessories include tolerance adjustment.
- IW21: for 5/8" [16mm] or 1/2" [13mm] drawer side thickness. IW25: for 3/4" [19mm] drawer side thickness. Left hand side IW21 or IW25, right hand side self-adjusting.

Full Access Quadro with Stop Control / Silent System

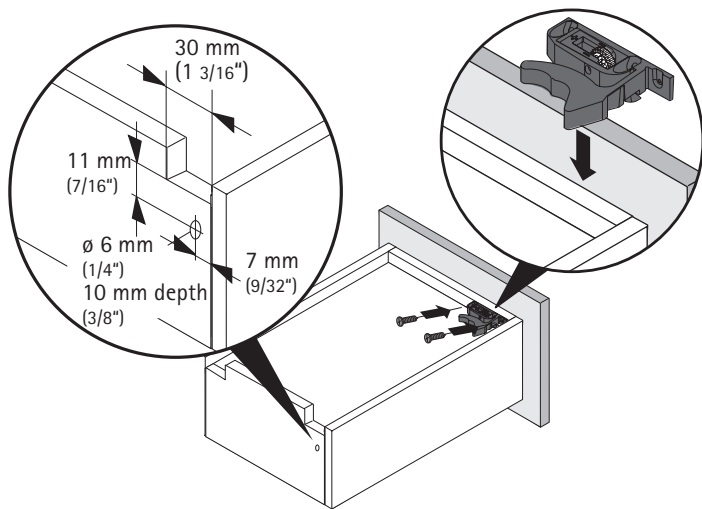
Item	Drawer box length		Order no. with Stop Control			Order no. with Silent System			QTY
	mm	(inch)	left hand side IW21	left hand side IW25	right hand side (IW21/IW25)	left hand side IW21	left hand side IW25	right hand side (IW21/IW25)	
FAQ 9"	229 mm	(9")	9 133 690	9 133 701	9 133 687	9 133 316	9 133 315	9 133 317	30
FAQ 12"	305 mm	(12")	9 133 703	9 133 704	9 133 702	9 133 313	9 133 312	9 133 314	30
FAQ 15"	381 mm	(15")	9 133 706	9 133 707	9 133 705	9 133 310	9 133 309	9 133 311	30
FAQ 18"	457 mm	(18")	9 133 709	9 133 710	9 133 708	9 133 307	9 133 306	9 133 308	30
FAQ 21"	533 mm	(21")	9 133 712	9 133 713	9 133 711	9 133 304	9 133 303	9 133 305	30

IW = Installation width

Front fixing clip set



- Set contains one front fixing clip left/right each
- For 5/8" [16 mm], 1/2" [13 mm] or 3/4" [19 mm] drawer subfront thickness
- With + 2.0 mm height adjustment
- Minimum drawer inside width = 165 mm (6 1/2")
- Installation recommended with two #6 - #8 x 3/4" flat head screws per clip

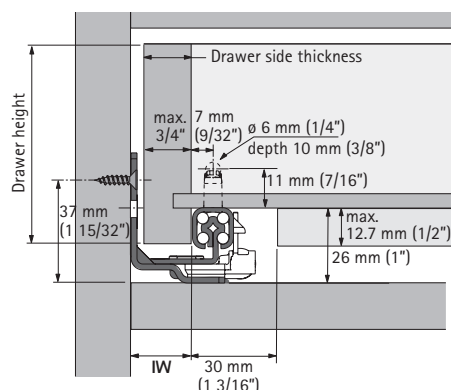


Item	Order no.	QTY
Front fixing clip set for 1/2"	9 140 416	100
	9 140 417	10
Front fixing clip set for 5/8"	9 140 418	100
	9 140 415	10
Front fixing clip set for 3/4"	9 140 418	100
	9 140 419	10

► Advice

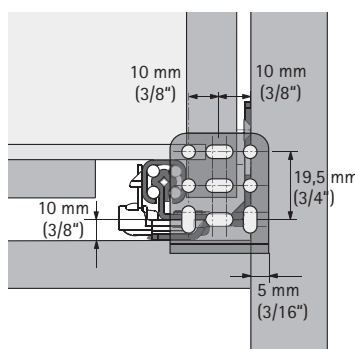
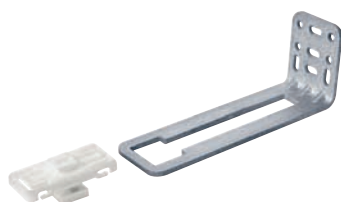
Dimensions in millimeters (inch approximations as noted). Subject to technical modification without notice.

Slide front view



- ▶ Installation recommended with one #6 - #8 flat head or $\varnothing 6.3 \times 14$ mm Euro screw per side

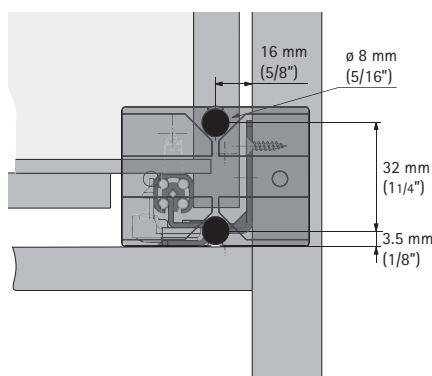
Metal rear attachment set (screw-on)



- ▶ 2 metal rear mount brackets
- ▶ 2 plastic connectors
- ▶ Non-handed, two-piece design
- ▶ For up to 50 mm (1 15/16") depth adjustment and ± 1.5 mm (1/16") side adjustment
- ▶ Additional adjustment via oblong holes
- ▶ Installation recommended with min. four #6 pan head screws or similar

Item	Order no.	QTY
Rear attachment set	9 055 093	10

Plastic rear attachment (TennTex Solutions)



- ▶ 2 plastic rear mount brackets
- ▶ Non-handed, two-piece design (pre-assembled)
- ▶ For up to 25.4 mm (1") depth adjustment and ± 16 mm (5/8") side-to-side self-alignment
- ▶ Non-detachable 8 mm dowels
- ▶ For 1/8" rear panel material thickness.

Item	Order no.	QTY
Rear attachment	1 133 505	100
Special socket for FAQ 9" with Silent System	1 135 467	100

Additional rear bracket versions (panel thickness 1/4", positioning, screw-on, peninsula, etc.) available on request.

Minimum / maximum cabinet depth

Drawer box length mm (inch)	Minimum cabinet depth with metal rear attachment mm (inch)	Minimum cabinet depth with plastic rear attachment (TennTex) mm (inch)	Maximum cabinet depth
229 mm (9")	282 mm (11 1/8")	280 (11")	Maximum cabinet depth = minimum cabinet depth + rear bracket adjustment range as noted in bracket descriptions
305 mm (12")	359 mm (14 1/8")	356 (14")	
381 mm (15")	435 mm (17 1/8")	432 (17")	
457 mm (18")	514 mm (20 1/8")	508 (20")	
533 mm (21")	590 mm (23 1/8")	584 (23")	

Inset application increases minimum cabinet depth. Trial recommended.

Full Access Quadro (FAQ)

► Frameless application



- Meets or exceeds ANSI/BHMA 156.9 grade 1 requirements.
- Full Access: economical solution with minimised extension loss.
- Stop Control: a spring-operated mechanism closes the drawer automatically.
- Silent System: an integrated damping device realises silent drawer closing.
- Slide-on assembly: simply push the drawer in for connection.
- Strong, resilient tracks and precision steel balls for optimal slide action.
- Integrated roll-out prevention inhibits accidental opening.
- Tool-free drawer height adjustment.
- Installation accessories include tolerance adjustment.
- For frameless cabinetry.
- IW21: for 5/8" [16mm] or 1/2" [13mm],
IW25: for 3/4" [19mm] drawer side thickness.

Full Access Quadro with Stop Control / Silent System

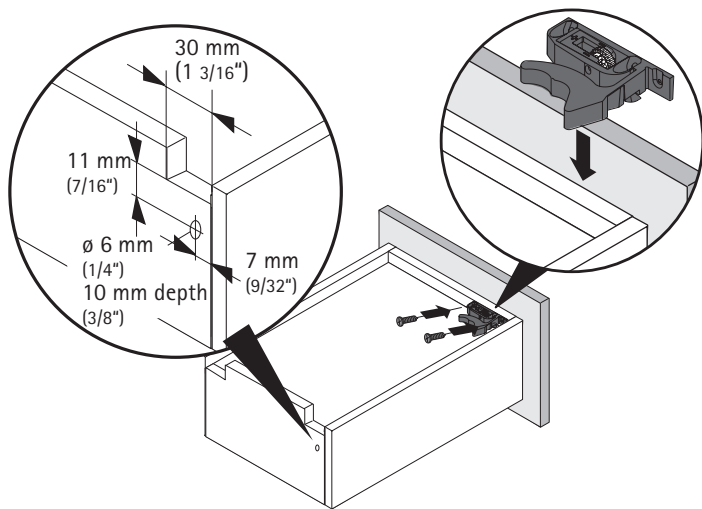
Item	Drawer box length		Order no. with Stop Control				Order no. with Silent System				QTY
	mm	(inch)	IW21 left	right	IW25 left	right	IW21 left	right	IW25 left	right	
FAQ 15"	381 mm	(15")	9 138 010	9 138 012	9 138 011	9 139 713	9 138 013	9 138 015	9 138 014	9 139 714	30
FAQ 18"	457 mm	(18")	9 138 004	9 138 006	9 138 005	9 139 711	9 138 007	9 138 009	9 138 008	9 139 712	30
FAQ 21"	533 mm	(21")	9 137 988	9 137 990	9 137 989	9 139 699	9 138 001	9 138 003	9 138 002	9 139 700	30

IW = Installation width

Front fixing clip set



- Set contains one front fixing clip left/right each
- For 5/8" [16 mm], 1/2" [13 mm] or 3/4" [19 mm] drawer subfront thickness
- With + 2.0 mm height adjustment
- Minimum drawer inside width = 165 mm (6 1/2")
- Installation recommended with two #6 - #8 x 3/4" flat head screws per clip

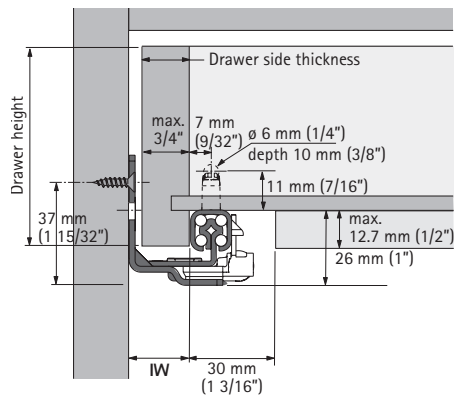


Item	Order no.	QTY
Front fixing clip set for 1/2"	9 140 416	100
	9 140 417	10
Front fixing clip set for 5/8"	9 140 418	100
	9 140 415	10
Front fixing clip set for 3/4"	9 140 418	100
	9 140 419	10

► Advice

Dimensions in millimeters (inch approximations as noted). Subject to technical modification without notice.

Slide front view



- Installation recommended with two #6 - #8 flat head or Ø 6.3 x 14 mm Euro screws per side

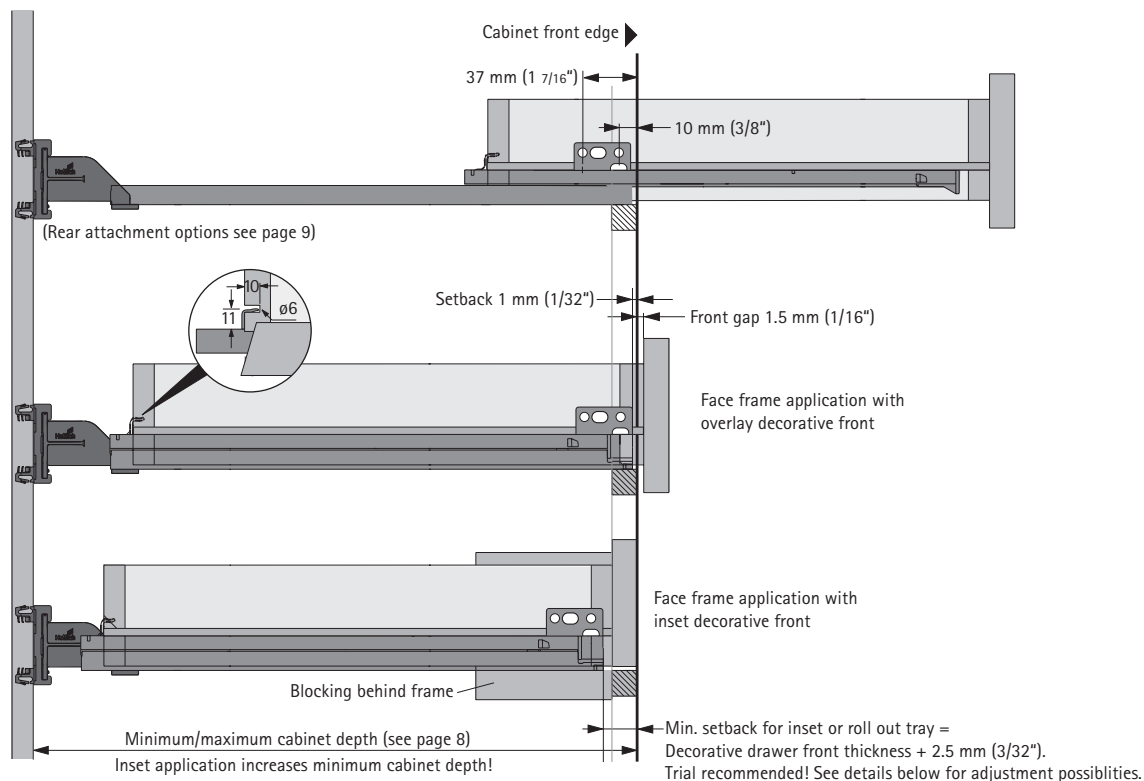
Minimum / maximum cabinet depth

Drawer box length mm (inch)	Minimum cabinet depth mm (inch)
381 mm (15")	425 mm (16 3/4")
457 mm (18")	501 mm (19 3/4")
533 mm (21")	578 mm (22 3/4")

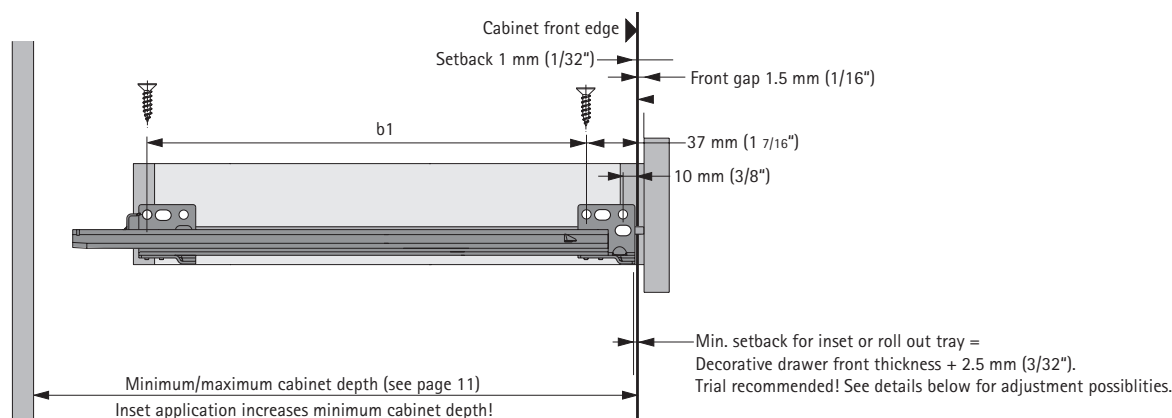
Full Access Quadro (FAQ)

► Mounting specifications

Mounting specifications – face frame application



Mounting specifications – framless application



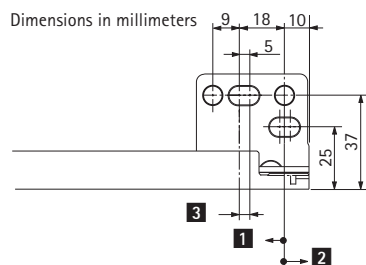
Item	b1 mm	(inch)
Full Access Quadro 15"	320 mm	(12 19/32")
Full Access Quadro 18"	416 mm	(16 3/8")
Full Access Quadro 21"	480 mm	(18 1/8")

Minimum two # 6 - # 8 flat head or ø 6.3 x 14 mm Euro screws per side

► Advice

Dimensions in millimeters (inch approximations as noted).

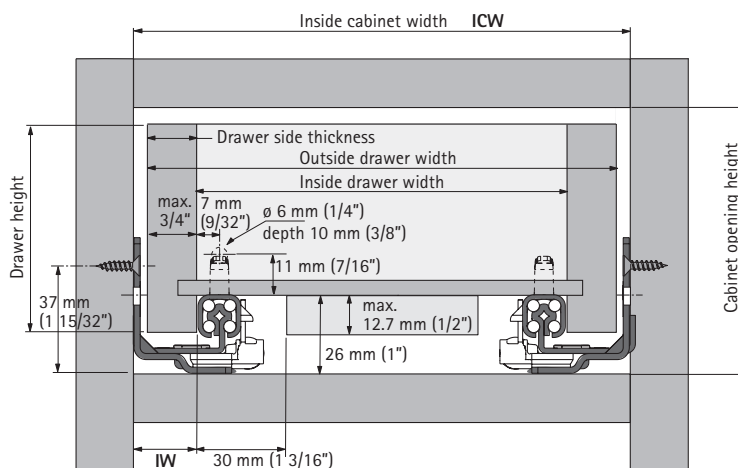
Adjustment possibilities – cabinet bracket details



- Drawer adjustments:
- 1** 2.5 mm (3/32") (in)
 - 2** 2.5 mm (3/32") (out)
 - 3** 5 mm (3/16") (range in/out)

Trial recommended!
Adjustment influences minium cabinet depth.

Drawer and cabinet dimensions



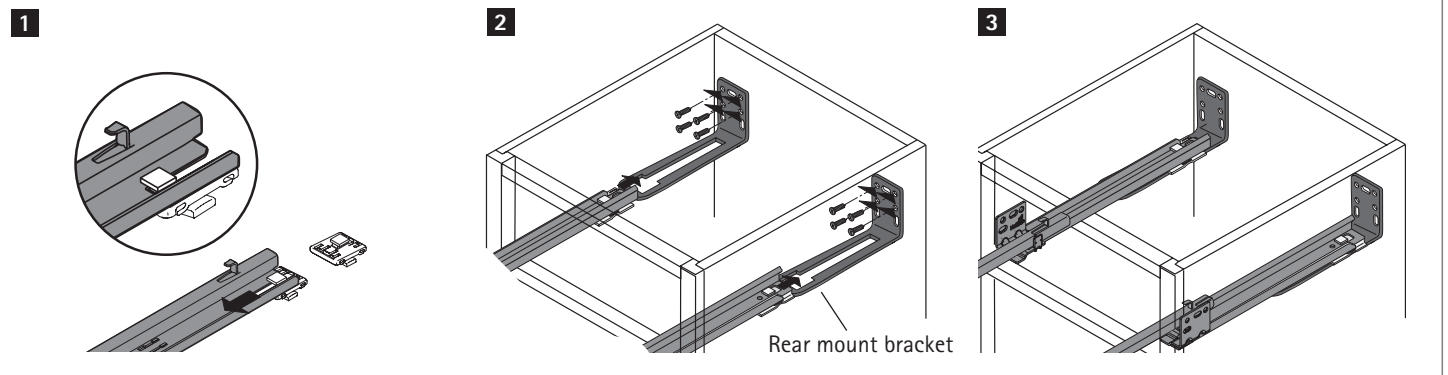
IW = Installation width	21 mm		25 mm		
	Drawer side thickness	13 mm (1/2")	16 mm (5/8")	13 mm (1/2")	16 mm (5/8")
Outside drawer width = ICW minus	16 mm (5/8")	10 mm (3/8")	24 mm (15/16")	18 mm (45/64")	12 mm (15/32")
Inside drawer width = ICW minus	42 mm (1 21/32")		50 mm (1 31/32")		

Maximum drawer height = cabinet opening height minus 20 mm (13/16")
Minimum cabinet opening height = drawer height plus 20 mm (13/16")

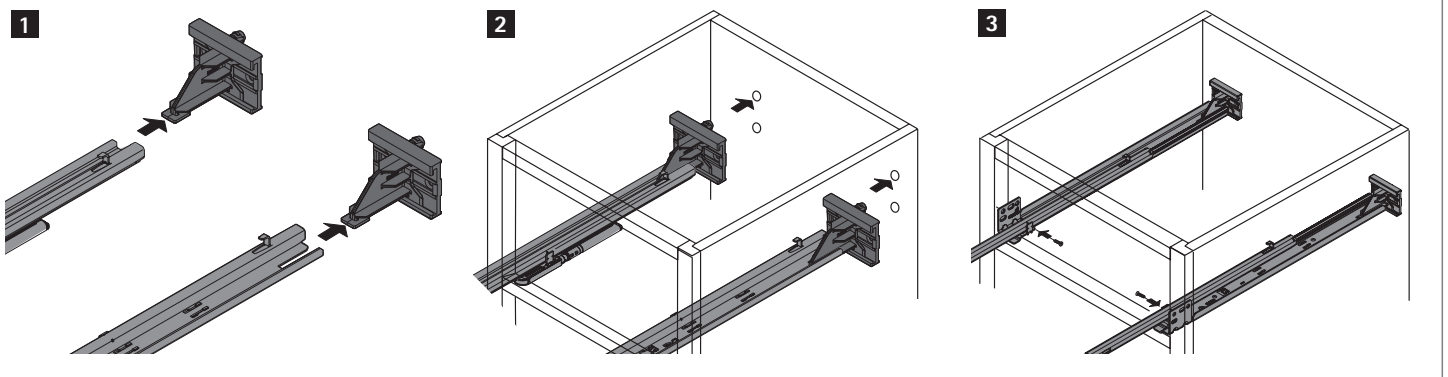
Full Access Quadro (FAQ)

► Assembly

Assembly with metal rear attachment



Assembly with plastic rear attachment

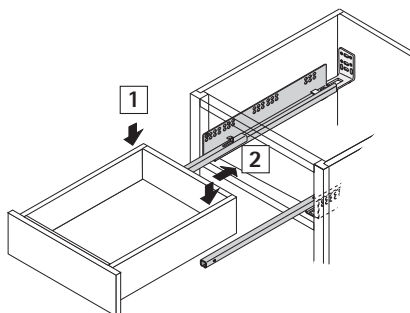


Assembly frameless application

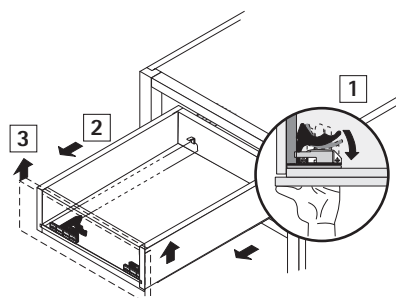


Assembly / Disassembly

Drawer installation



Disassembly drawer



Toolless height adjustment + 2 mm via thumb wheel

